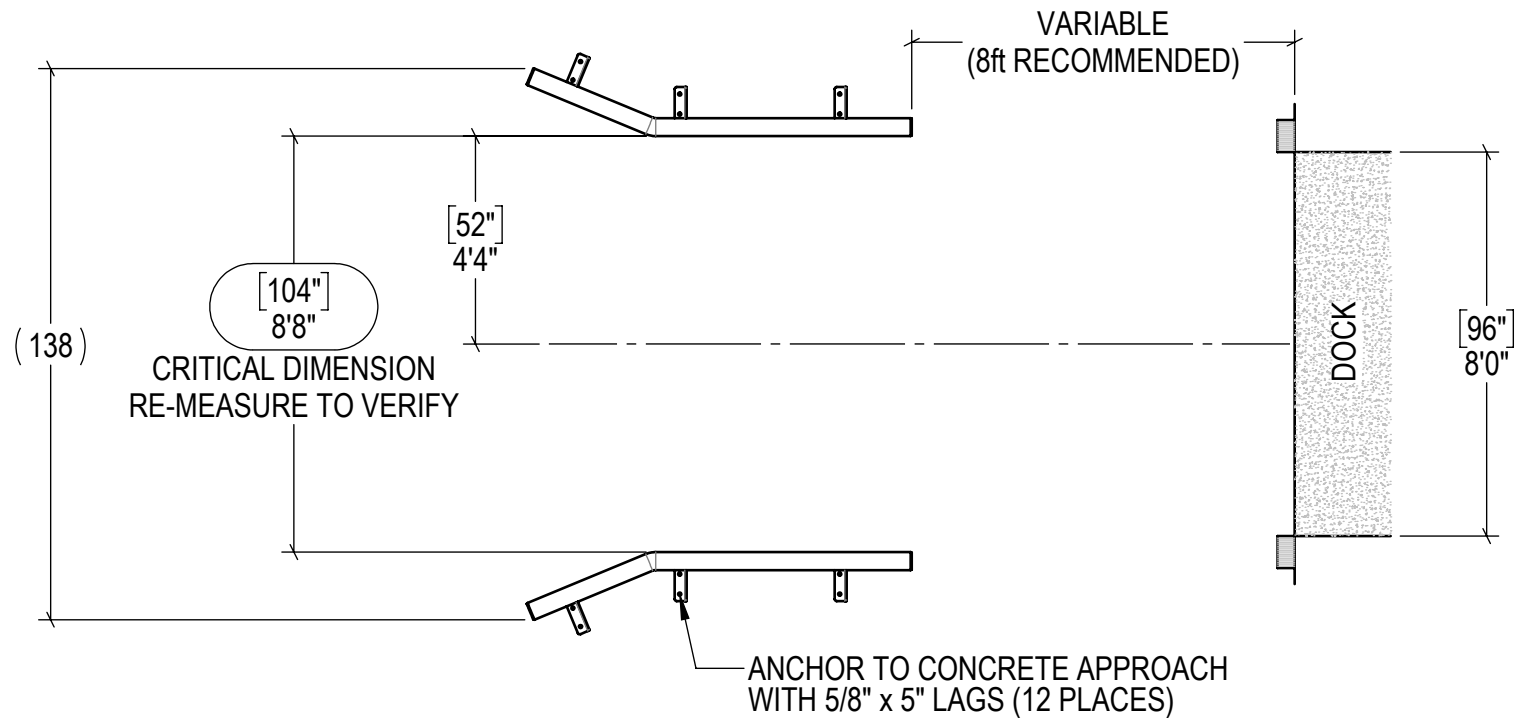




# INSTALLATION INSTRUCTIONS



**NOTES:**

1. 6" THICK CONCRETE APPROACH REQUIRED
2. TORQUE ALL LAGS TO 80 ft-lbs

DRAWN BY: <b>T.CHUNG</b>		DATE: <b>2023-05-19</b>		 3rd Angle SIZE: <b>A</b>	 <b>IDEAL WAREHOUSE INNOVATIONS INC</b>
CHECKED BY:		DATE:			
THE INFORMATION CONTAINED IN THIS DRAWING IS THE SOLE PROPERTY OF IDEAL WAREHOUSE INNOVATIONS INC. ANY REPRODUCTION IN PART OR AS A WHOLE IS PROHIBITED.				DESCRIPTION: <b>WHEEL GUIDE INSTALLATION INSTRUCTIONS</b>	
				SCALE: <b>1:48</b>	SHEETS: <b>1 of 2</b>

# INSTALLATION INSTRUCTIONS

## INSPECT THE SITE AND ENSURE ALL PARTS ARE PRESENT

CLEAN THE AREA OF ANY DEBRIS BEFORE INSTALLING GUARDRAILS AND ACCESSORIES

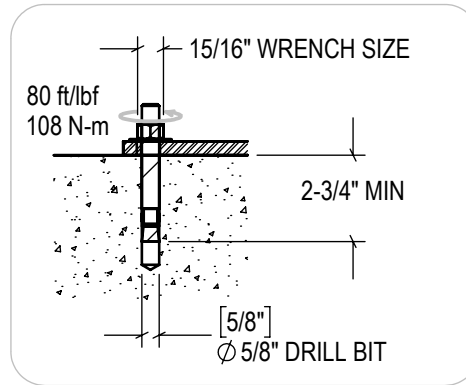
## SAFETY PRECAUTIONS

USE APPROPRIATE PERSONAL PROTECTIVE EQUIPMENT SUCH AS GLOVES, SAFETY GLASSES, HEARING PROTECTION AND PROTECTIVE SHOES.

## ANCHOR BOLTS



THE ANCHOR BOLTS REQUIRE AN MINIMUM EMBEDDED DEPTH OF 2-3/4"

TIGHTEN THE NUT TO THE INSTALLATION TORQUE OF 80 ft/lbf [108 N-m]



## TOOLS REQUIRED FOR INSTALLATION

- MEASURING TAPE
- CHALK LINE
- 2FT LEVEL
- HAMMER DRILL WITH A 5/8" DRILL BIT
- 15/16" SOCKET WRENCH AND/OR ADJUSTABLE WRENCH

DRAWN BY: <b>T.CHUNG</b>	DATE: <b>2023-05-19</b>	 3rd Angle SIZE: <b>A</b>	 <b>IDEAL WAREHOUSE</b> INNOVATIONS INC
CHECKED BY:	DATE:		
THE INFORMATION CONTAINED IN THIS DRAWING IS THE SOLE PROPERTY OF IDEAL WAREHOUSE INNOVATIONS INC. ANY REPRODUCTION IN PART OR AS A WHOLE IS PROHIBITED.		DESCRIPTION: <b>WHEEL GUIDE INSTALLATION INSTRUCTIONS</b>	
		SCALE: <b>1:16</b>	SHEETS: <b>2 of 2</b>