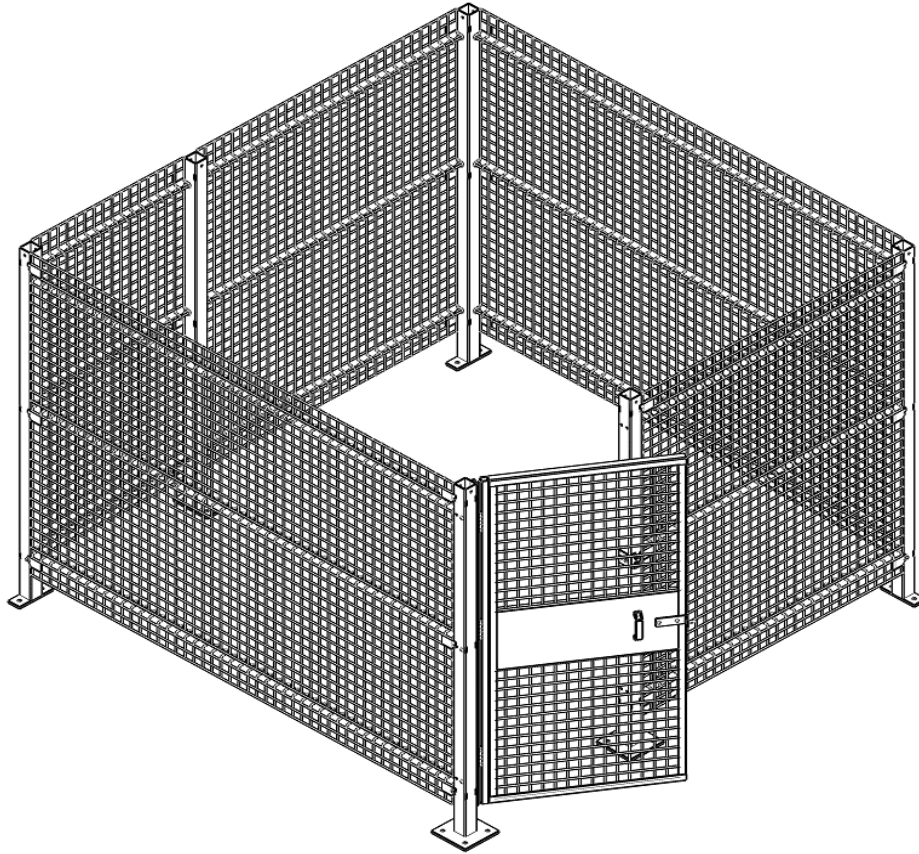




HUSKY

RACK & WIRE™



Tools Needed for Installation

- Level
- Hammer Drill
- 1/2" Masonry Bit
- Tape Measure
- Step Ladder
- Socket Wrench
- Socket Wrench Extension
- 7/16" Socket
- 1/2" Socket
- 3/4" Socket
- Hammer
- Safety Glasses
- Pencil or Chalk Line
- Shop Vacuum Cleaner
- Work Gloves

GENERAL INFORMATION

Table of Contents

General Information

Prior to Installation.....	2
Overview Example.....	3
Posts and Panels.....	3

Installation

Post Installation	4
Wall Panel Installation	5
Single Swing Door Installation	6
Double Swing Door Installation	7
Single Slide Door Installation	9
Double Slide Door Installation	11
Post Splice installation	13
Stack Clips Installation	14
Cut To Fit Panel Installation	15

Introduction

This guide provides information on safe and proper installation of Husky Rack & Wire (Husky) Velox products. The installation drawings that follow are intended as basic guides to installation of standard Velox components. Additional information and videos can be found on our website at www.getvelox.com. Velox machine/perimeter guarding is intended to be used as a part of a larger security and safety system. Failure to properly install, use and maintain Velox products can result in loss of use, collapse, property damage, personal injury or death.

We recommend installation be performed by qualified individuals with experience in the proper assembly of security products and knowledge of industry and government standards and guidelines. All users should carefully read these instructions in their entirety and ensure that all members of the installation team wear a hardhat, hard-toe boots and gloves without cuffs during installation.

Warnings

- The Velox structure must be installed in a plumb, level, and square condition. Floor shims should be utilized as needed to ensure a level installation. The area where material is to be installed should be free of all obstructions.
- If unstable during installation, temporary bracing may be necessary until the product is completely assembled.
- Do not intermingle new and existing/used parts, and do not combine with products made by other manufacturers.
- Do not substitute any parts or hardware not approved by Husky.
- Do not install damaged or compromised Velox components.
- Do not install Velox products outdoors, unless specifically designed for outdoor use.
- **Never** stand, walk or climb on Velox products, during or after assembly.
- Do not place items on top of the structure.
- Velox products do not include lockout/tagout/interlock devices or other locking components. For installation, use and maintenance of such components, see the manufacturers' instructions.

PROPER ASSEMBLY IS THE RESPONSIBILITY OF THE OWNER AND IS NOT COVERED BY ANY WARRANTY OF HUSKY. HUSKY DISCLAIMS ALL LIABILITY WITH RESPECT TO INSTALLATION OF ITS PRODUCTS.

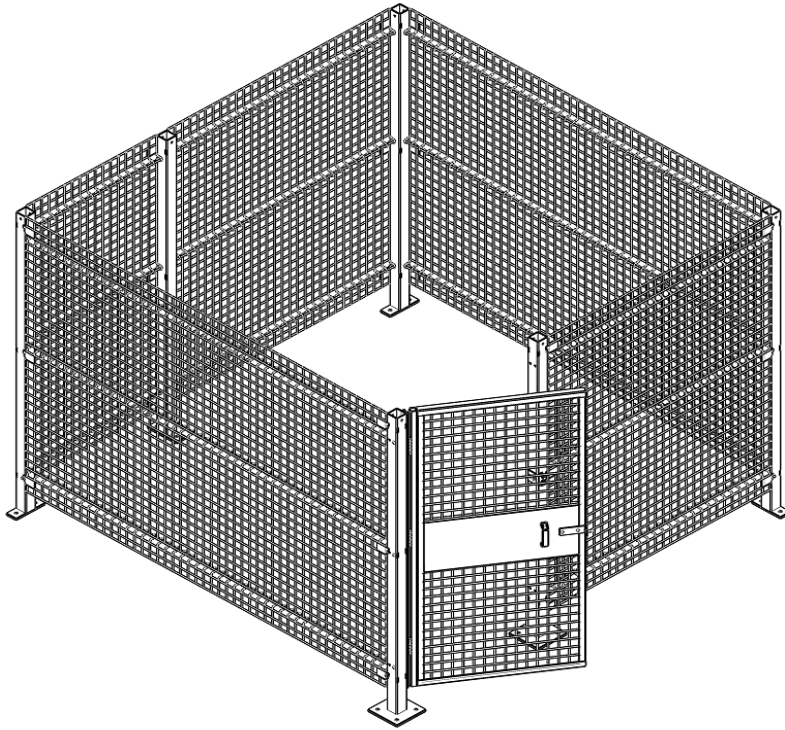
Inspection and Maintenance

Once installed, the owner should ensure that monthly inspections are performed and that Velox products are properly maintained in accordance with industry practice.

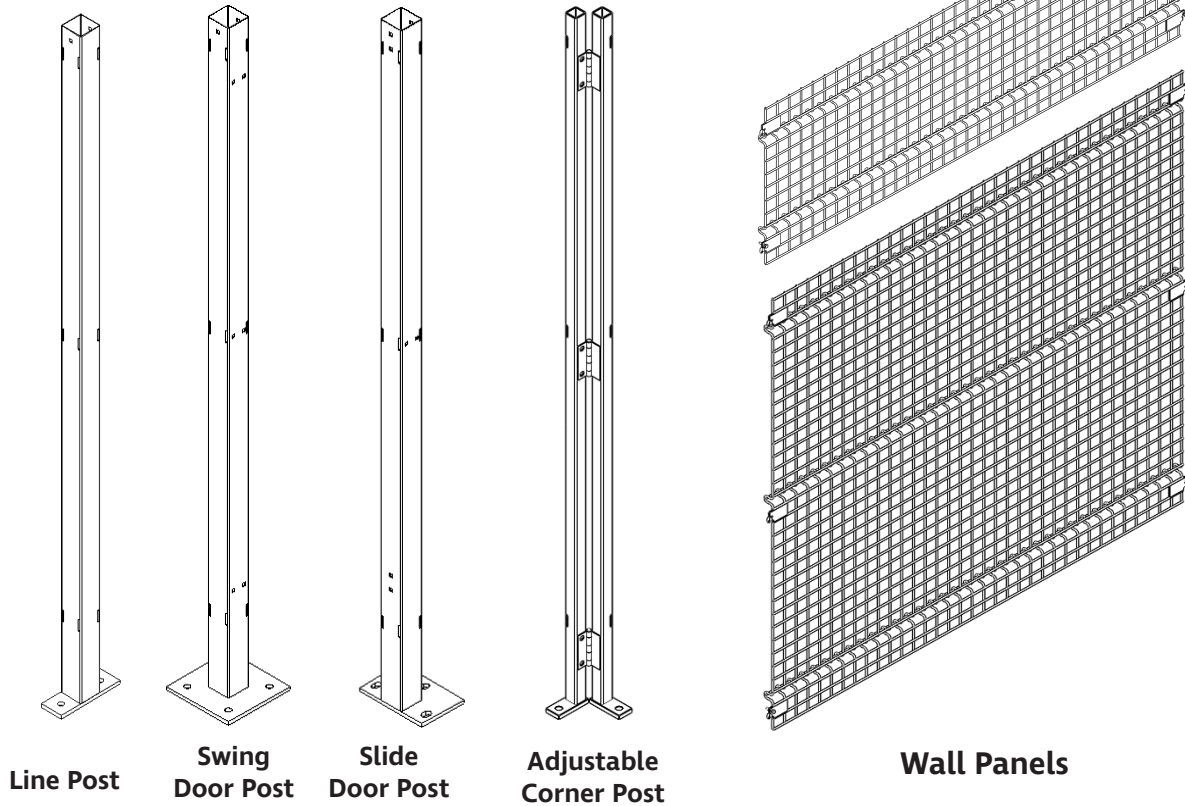


GENERAL INFORMATION

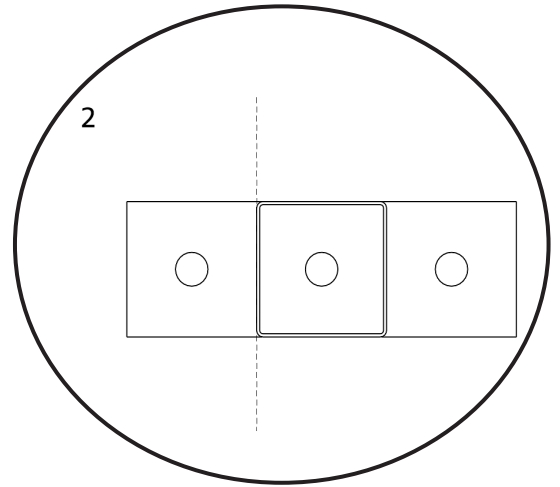
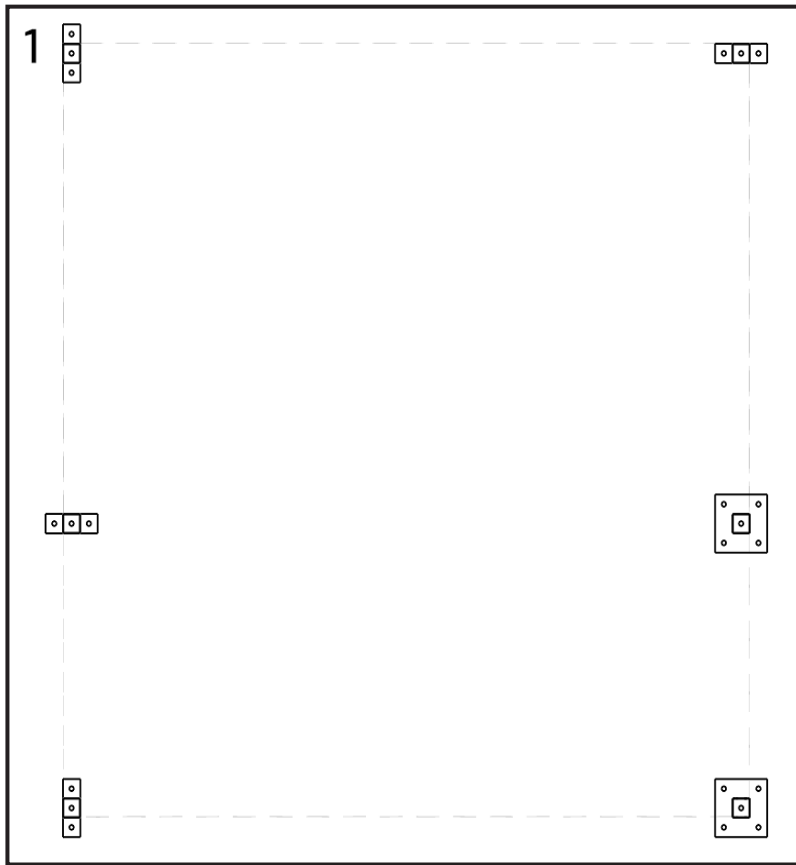
Overview Layout Example



Post and Wall Panels

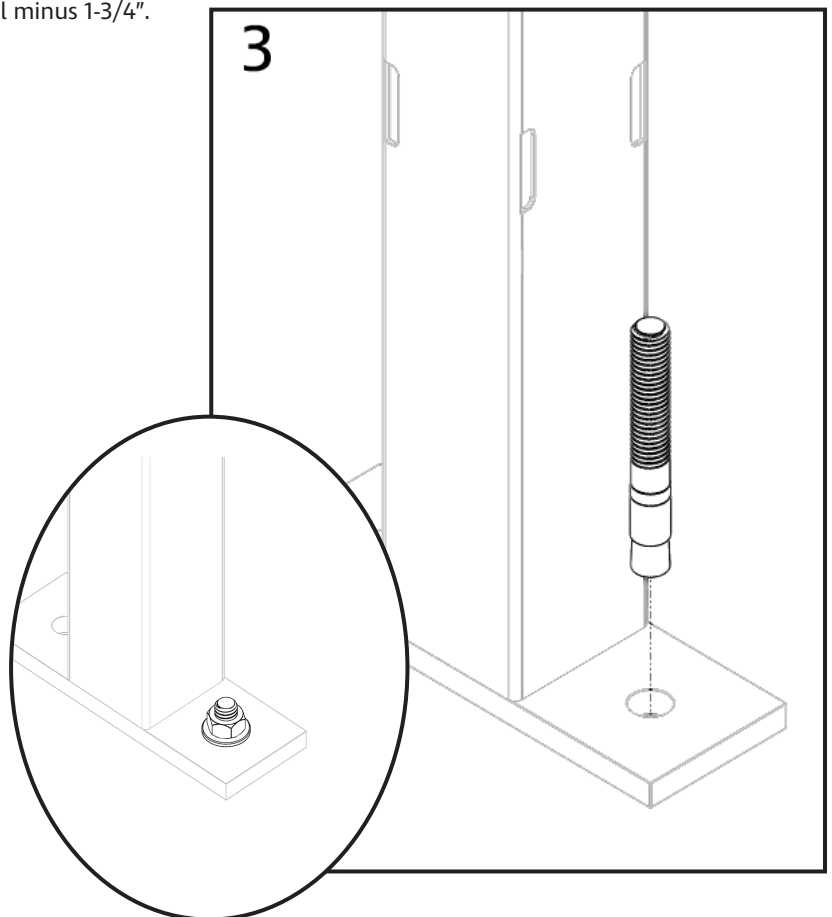


POST INSTALLATION

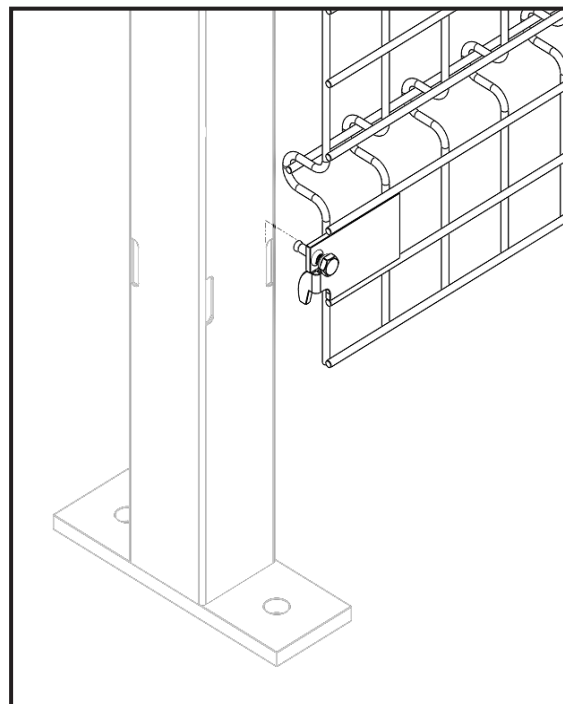
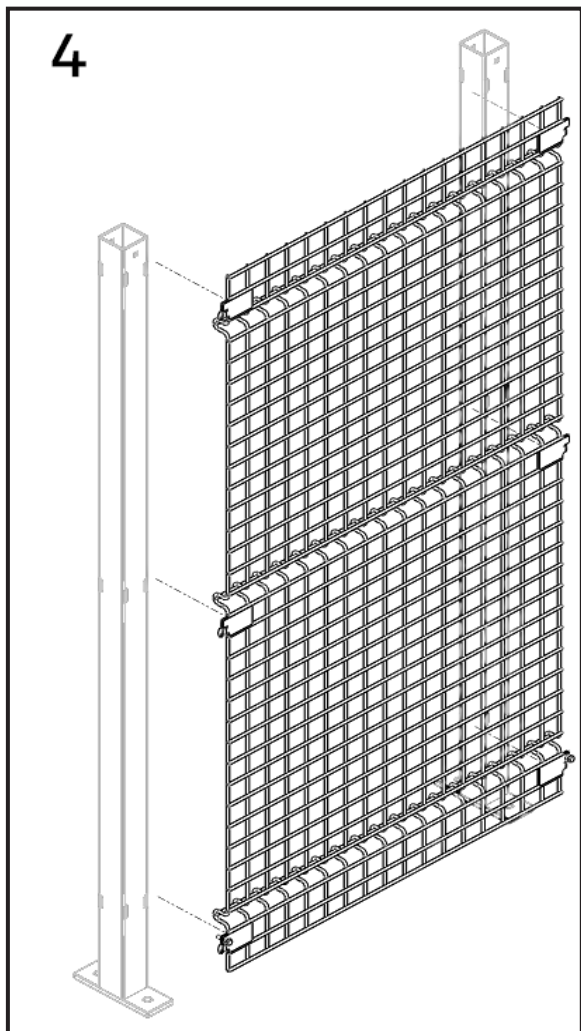


Mark area for line post installation. Place line post edge to **inside** of marked area. Posts installed for door opening need to be nominal minus 1-3/4".

Place post into position on marked line. Drill two holes (at opposite sides of post base) for first post. Using a hammer, install two floor anchors. **Hand-tighten** nut and washer to secure anchor. Using a level, check that first post is plumb. Add shims to level if needed. **Fully tighten** anchor nuts. Place next post into position on marked line. **IMPORTANT:** Do not anchor additional posts (after the first post is anchored) until the entire cage is assembled so that adjustments can be made to ensure that the cage is square.

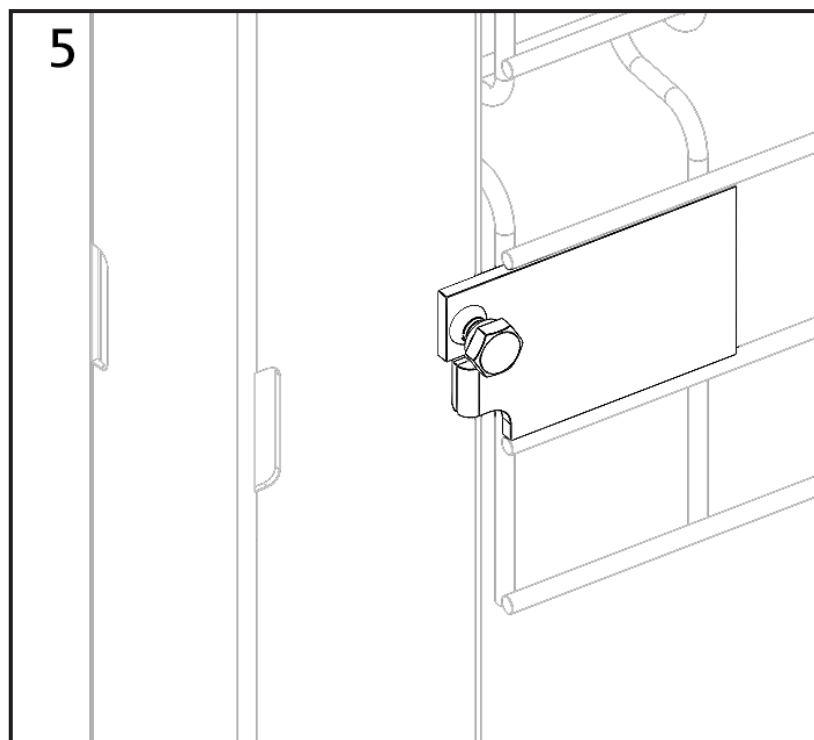


WALL PANEL INSTALLATION

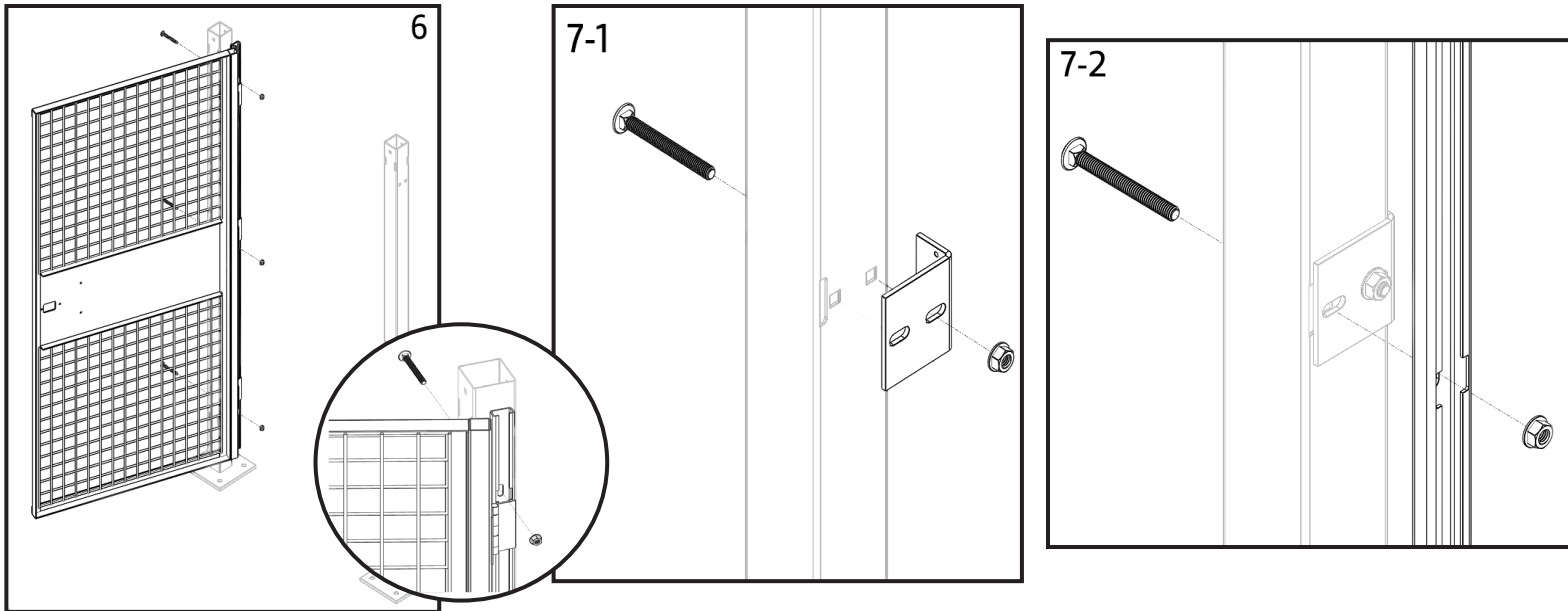


Loosen the chalice bolts at the bottom of the panel prior to installation. On the **outside** of the posts, install the first wall panel. Insert all clip hooks on the panel into the post slots then slide panel down to engage hooks.

Once panel is hung on the posts, tighten the chalice bolts on bottom of the wall panel. **DO NOT USE POWER TOOL OR OVER-TIGHTEN** as this will **DAMAGE** the chalice bolt, making the it unusable.

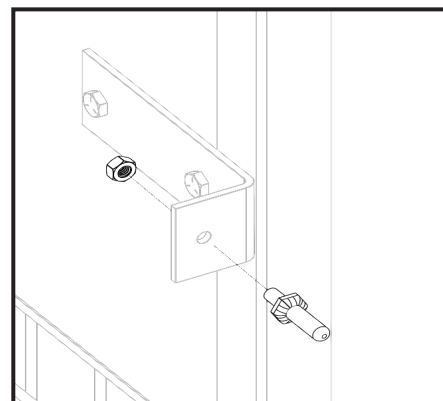
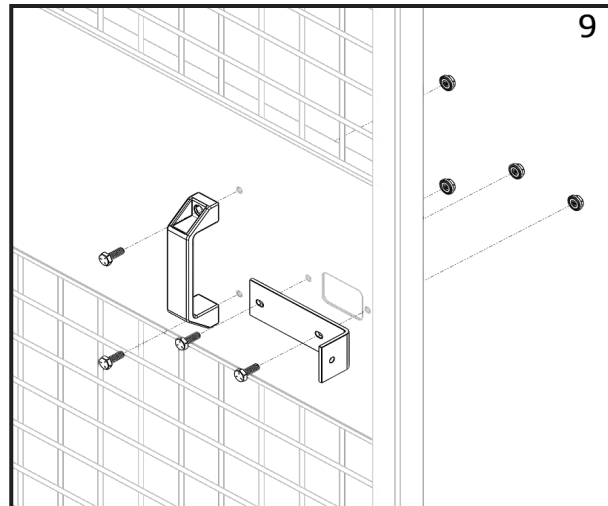
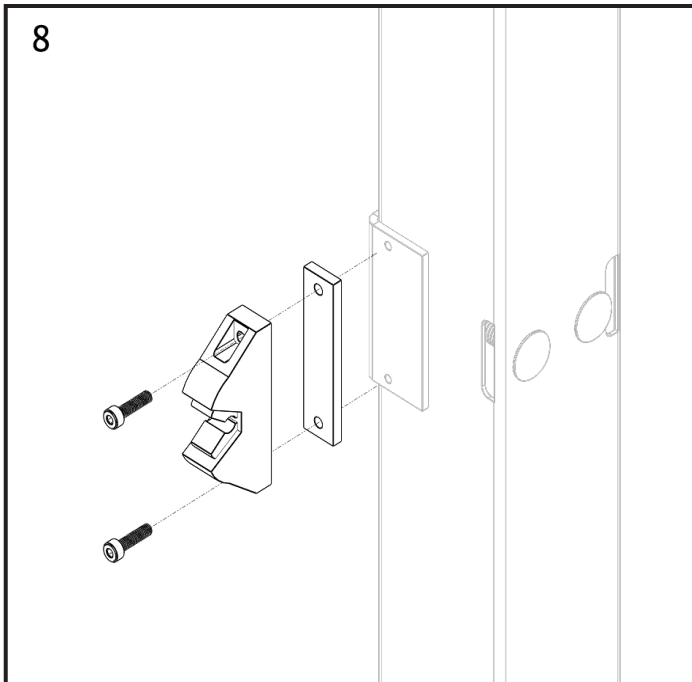


SINGLE SWING DOOR INSTALLATION



Place door posts at **Nominal minus 1-3/4"**. Hang door panel using (3) **H1103 - 5/16-18 x 3"** Carriage Bolts and (3) **H5837 - 5/16-18 Hex Flange Nuts**. Install the snap latch receiver bracket as shown in **Picture 7-1** using (1) **H1103 - 5/16-18 x 3"** Carriage Bolts and (1) **H5837 - 5/16-18 Hex Flange Nuts**. Install strike bar over snap latch receiver bracket as shown in **Picture 7-2** using (3) **H1103 - 5/16-18 x 3"** Carriage Bolts and (3) **H5837 - 5/16-18 Hex Flange Nuts**. One bolt will be at the top of the splice bar, one at the bottom, and the center bolt (shown in 7-2) will be common between the strike bar and the snap latch bracket.

NOTE: Snap latch may not be required if using interlock.

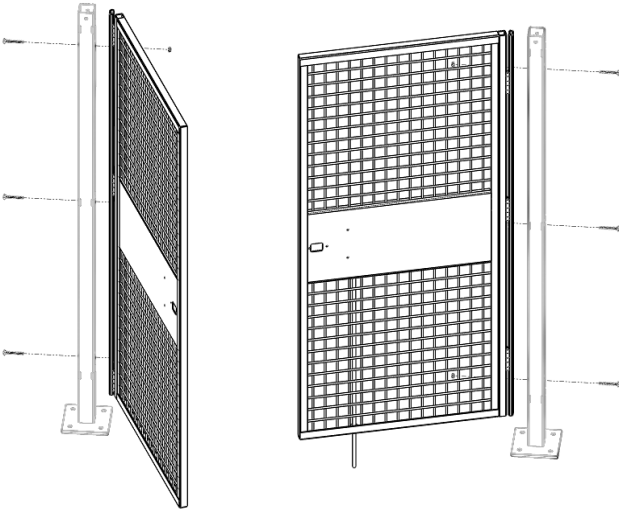


Bolt snap latch receiver to the receiver plate as shown in **Picture 8**. **NOTE:** Ensure that plastic spacer is behind the snap latch receiver. Bolt the snap latch pin plate and the door handle to the door centerplate as shown in **Picture 9** using (2) **H5859 - 1/4-20 x 3/4"** Hex Head Bolts and (2) **H5849 - 1/4-20 Hex Flange Nuts** for each. Install snap latch pin as shown.

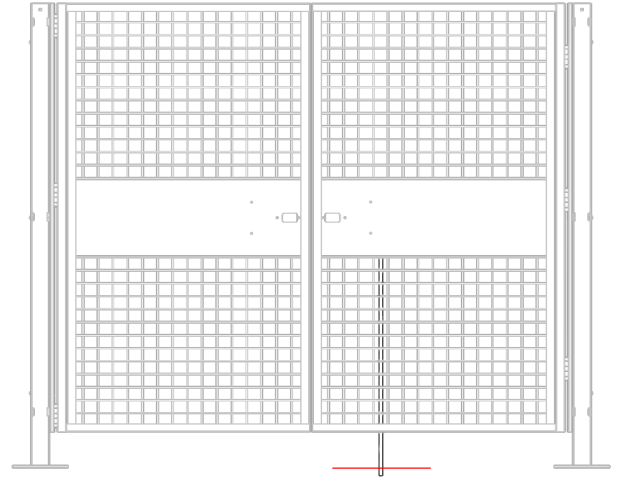
NOTE: If fence is 8' tall, then 1' transom panel will be installed on the top of the posts above the door.

DOUBLE SWING DOOR INSTALLATION

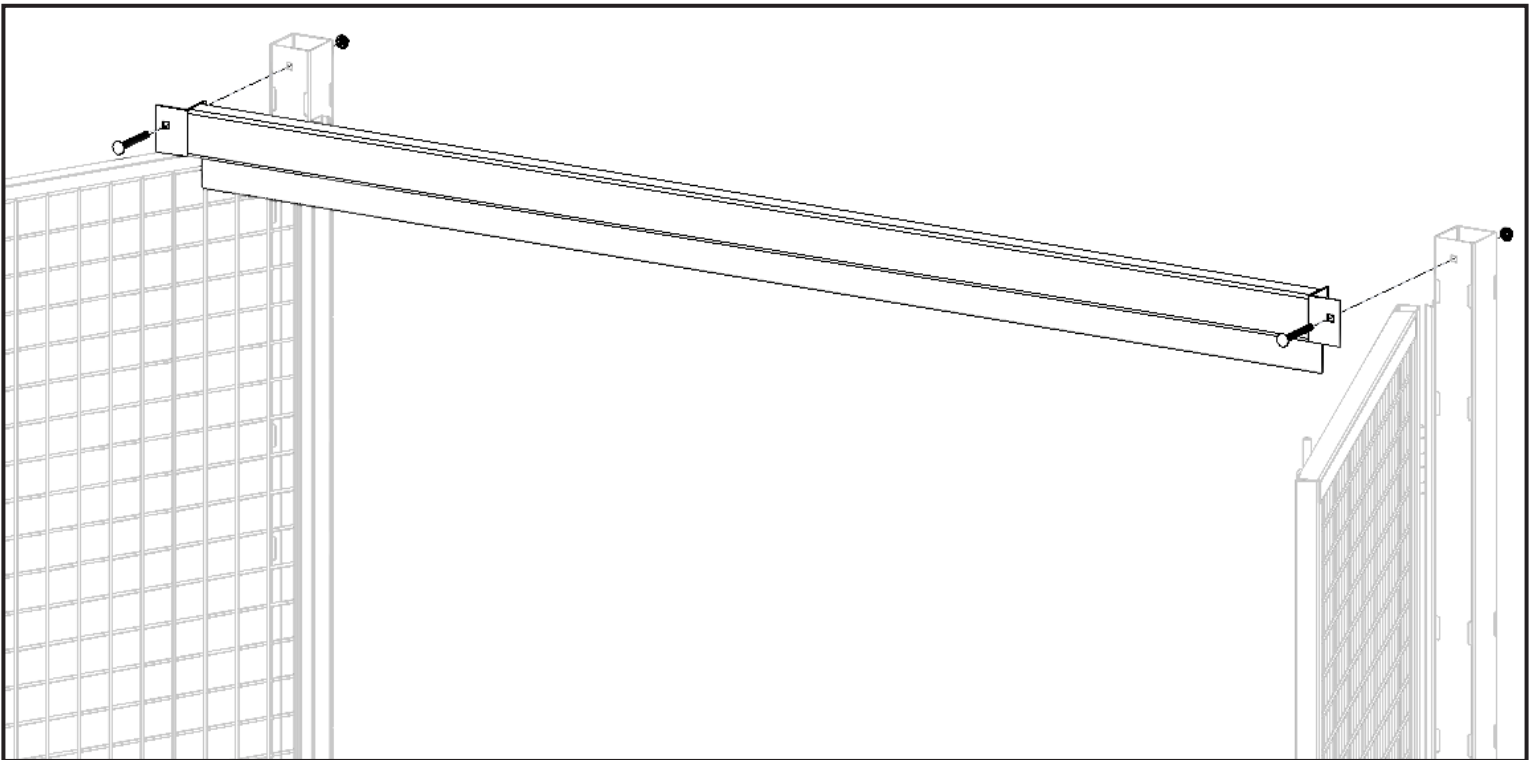
10



11

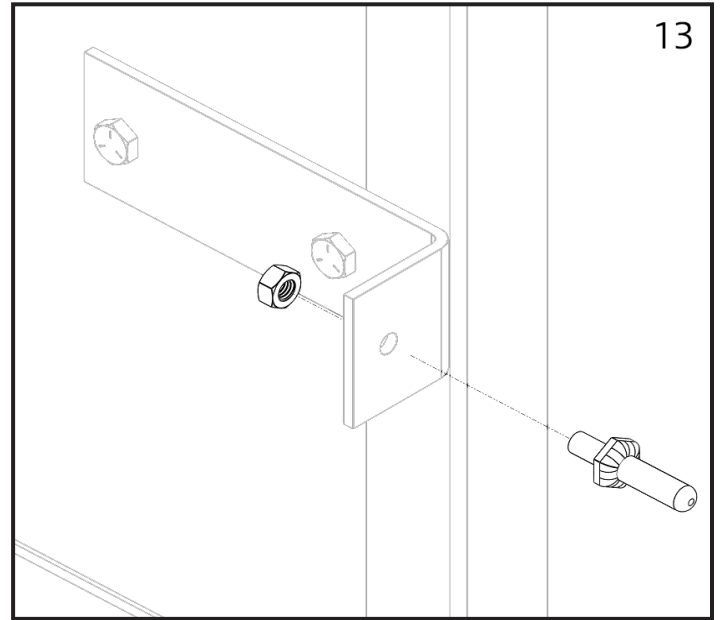
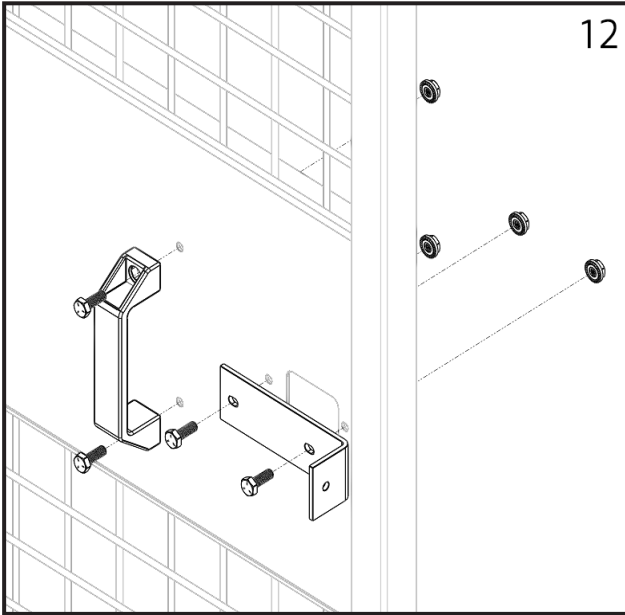


Place door posts at **Nominal minus 1-3/4"**. Hang first door panel using (3) **H1103 - 5/16-18 x 3"** Carriage Bolts and (3) **H5837 - 5/16-18 Hex Flange Nuts**. Hang the second door panel (**the door panel with the canebolt**) on the right side of the opening using (3) **H1103 - 5/16-18 x 3"** Carriage Bolts and (3) **H5837 - 5/16-18 Hex Flange Nuts**. After the door panels are hung, mark the location of the canebolt and drill a hole.

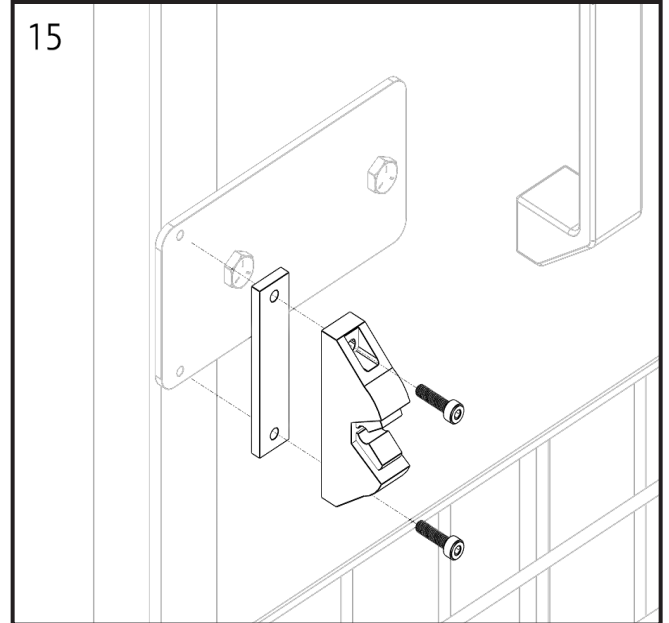
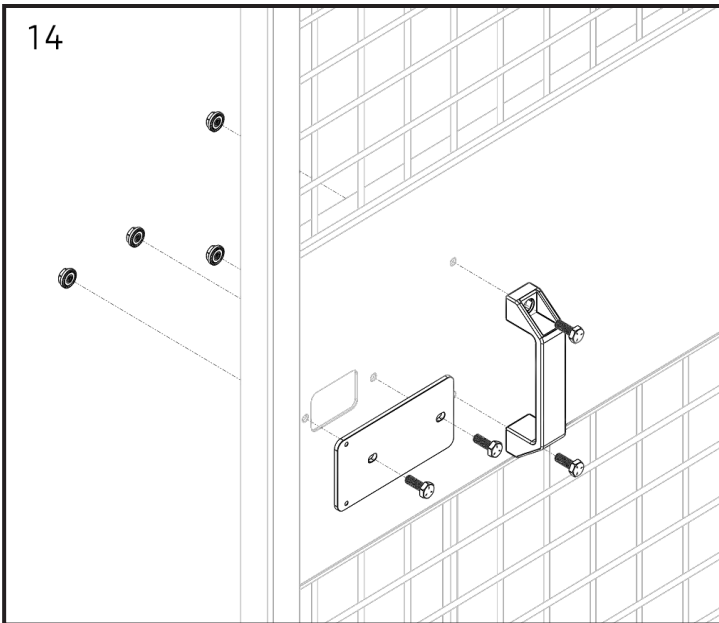


If door is 8' tall, a header bar will be installed on the top of the posts above the door using (2) **H1108 - 5/16-18 x 3-1/2"** Carriage Bolts and (2) **H5837 - 5/16-18 Hex Flange Nuts**.

DOUBLE SWING DOOR INSTALLATION

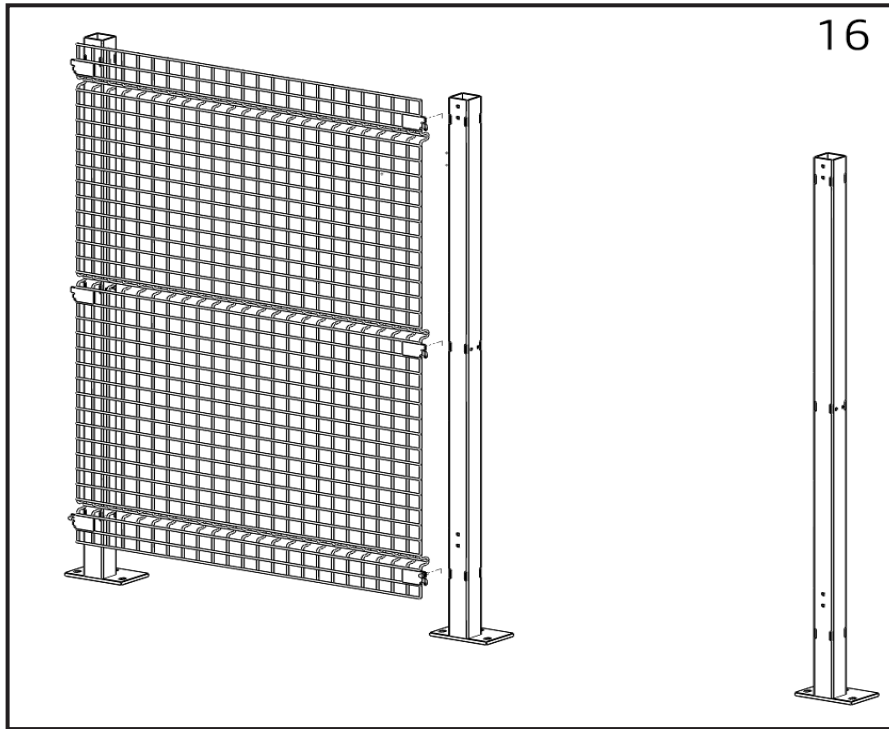


Bolt the snap latch pin plate and the door handle to the door centerplate as shown in **Picture 9** using (2) **H5859 - 1/4-20 x 3/4" Hex Head Bolts** and (2) **H5849 - 1/4-20 Hex Flange Nuts** for each. Install snap latch pin as shown in **Picture 13**.



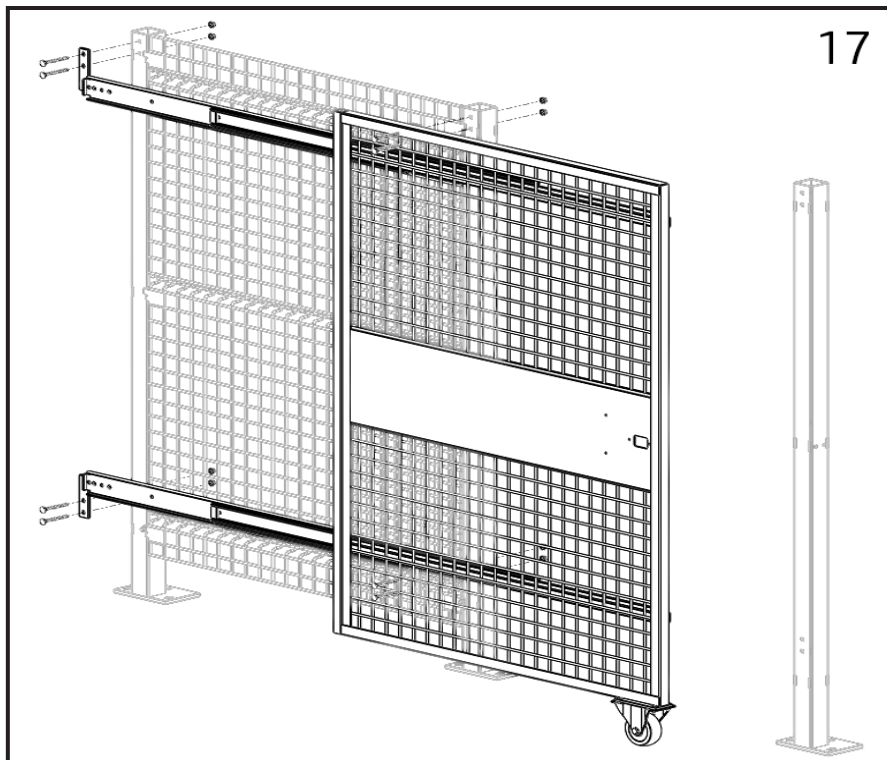
Bolt snap latch receiver plate and the door handle to the center plate of the receiving side door panel as shown in **Picture 14** using (2) **H5859 - 1/4-20 x 3/4" Hex Head Bolts** and (2) **H5849 - 1/4-20 Hex Flange Nuts** for each. Bolt snap latch receiver to the receiver plate as shown in **Picture 15**. **NOTE:** Ensure that plastic spacer is behind the snap latch receiver.

SINGLE SLIDE DOOR INSTALLATION



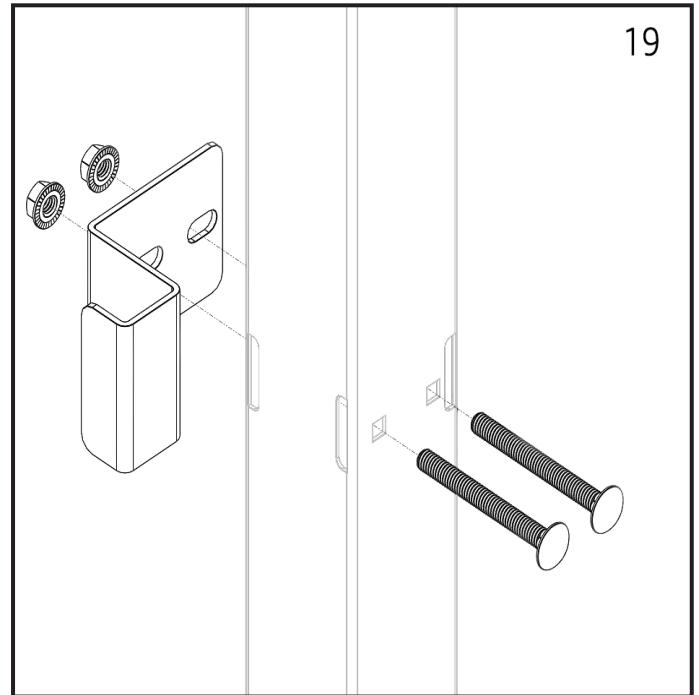
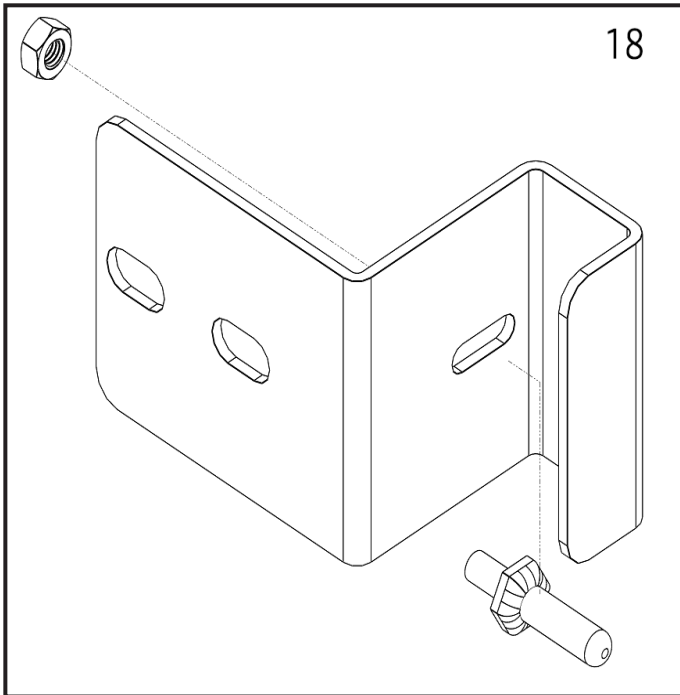
Place slide door posts at **Nominal minus 1-3/4"**. Hang wall panel behind the door opening.

NOTE: Slide left to open door is shown above.

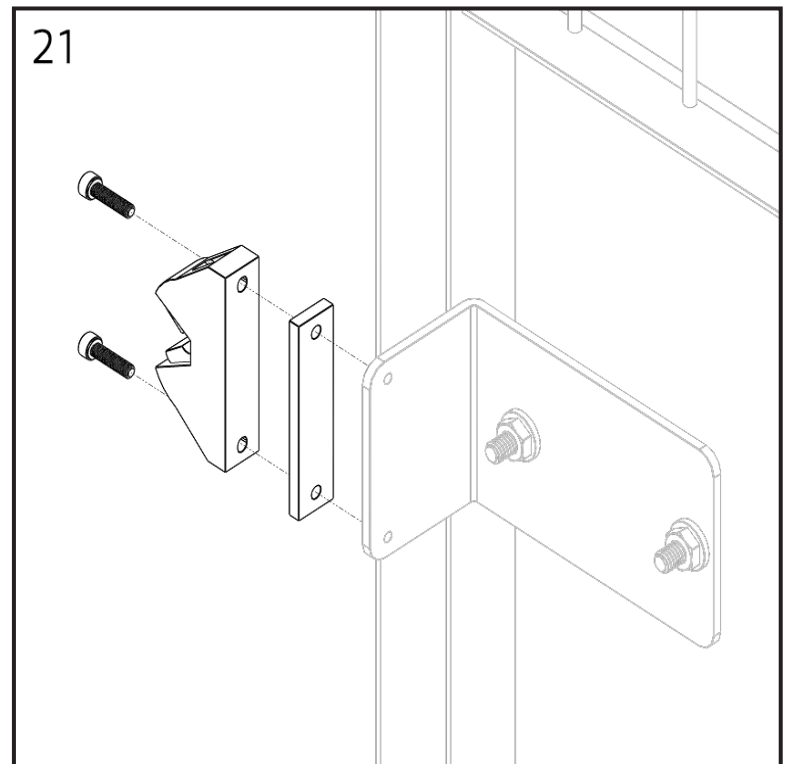
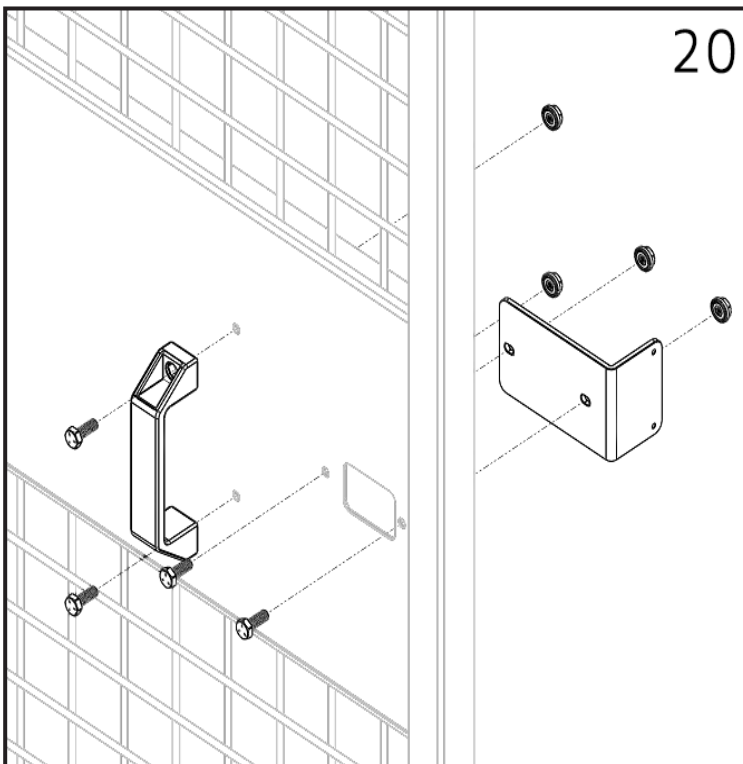


Bolt the **H1080 - "L" Shaped Brackets** to the posts as shown in **Picture 17** using (2) **H1108 - 5/16-18 x 3" Carriage Bolts** and (2) **H5837 - 5/16-18 Hex Flange Nuts** each in (4) locations. Door panel with slides, caster, and "L" - Shaped Brackets will be pre-assembled before shipping

SINGLE SLIDE DOOR INSTALLATION



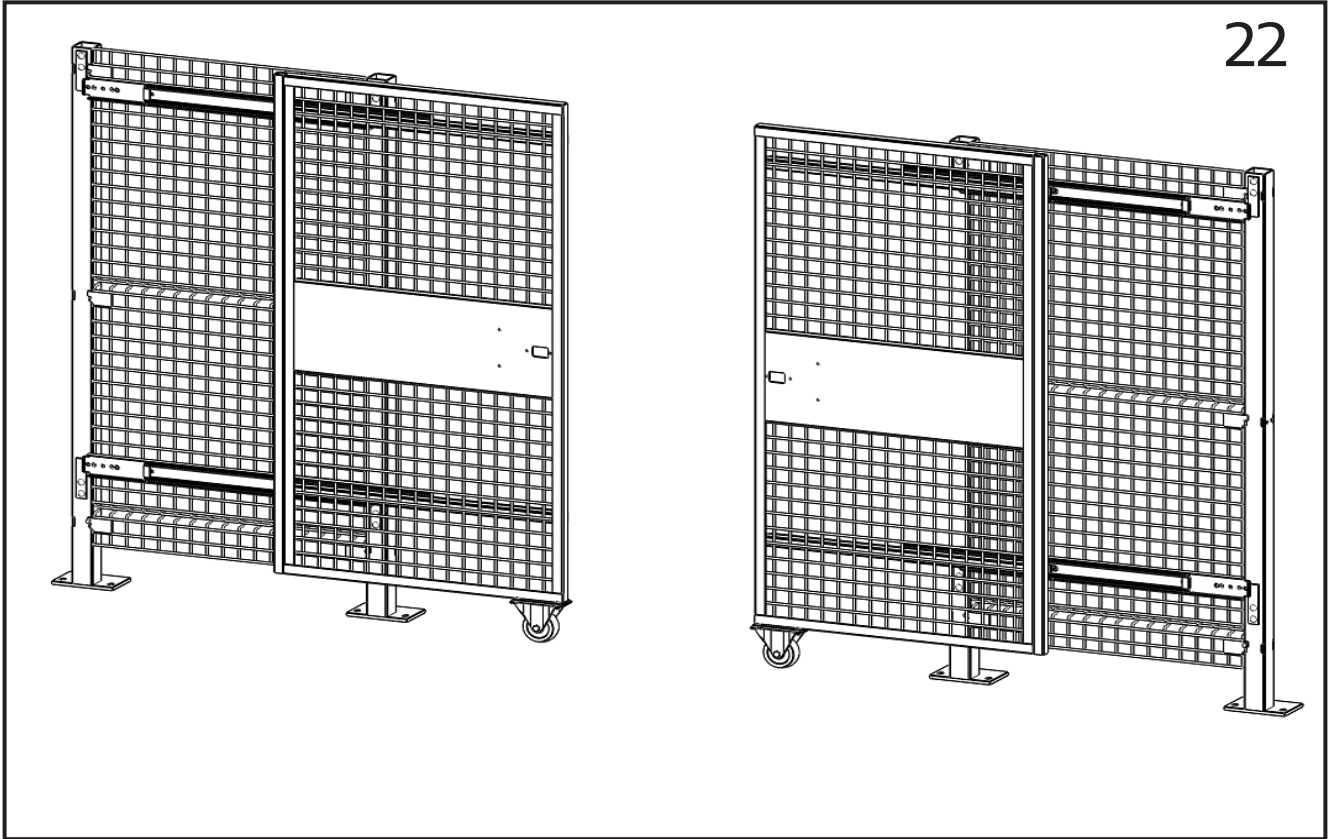
Install the snap latch pin on the snap latch pin bracket as shown in **Picture 18**. Bolt the snap latch pin bracket onto the latch post as shown in **Picture 19** using (2) **H1103 - 5/16-18 x 3" Carriage Bolts** and (2) **H5837 - 5/16-18 Hex Flange Nuts**.



Bolt snap latch receiver plate and the door handle to the center plate of the door panel as shown in **Picture 20** using (2) **H5859 - 1/4-20 x 3/4" Hex Head Bolts** and (2) **H5849 - 1/4-20 Hex Flange Nuts** for each. Bolt snap latch receiver to the receiver plate as shown in **Picture 21**. **NOTE:** Ensure that plastic spacer is behind the snap latch receiver.

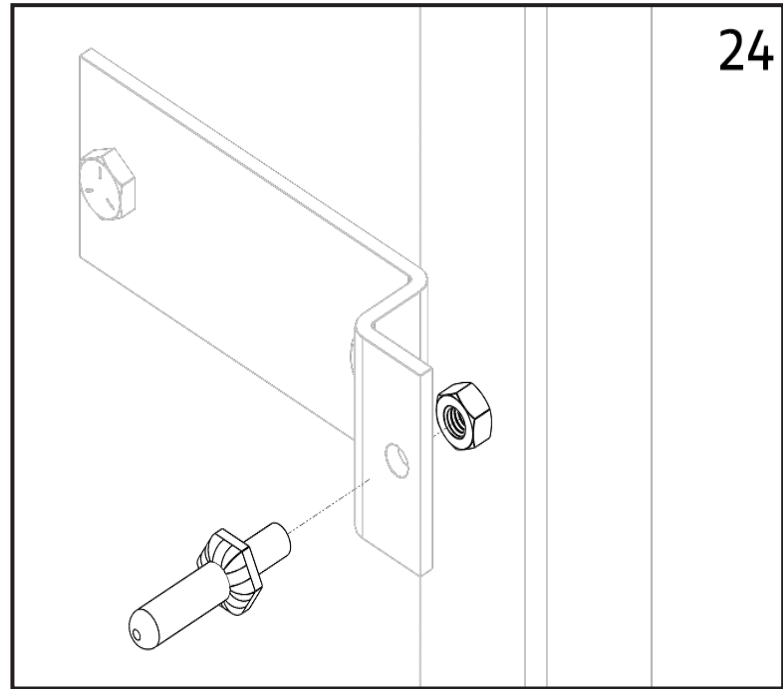
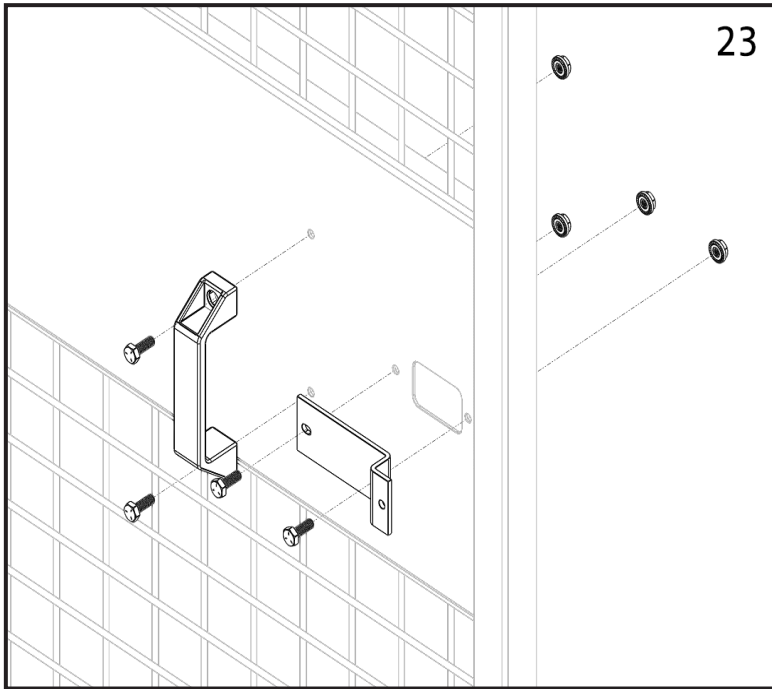
DOUBLE SLIDE DOOR INSTALLATION

22

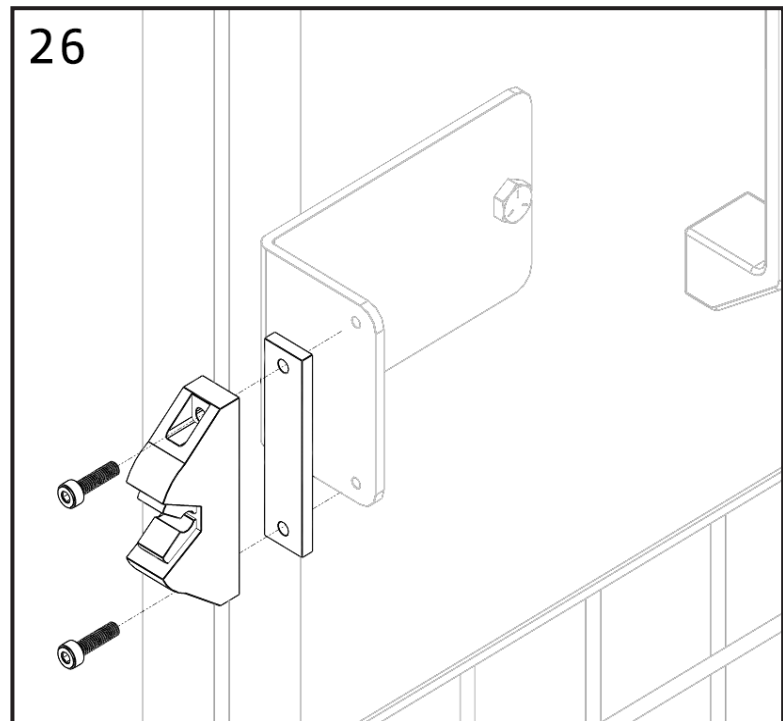
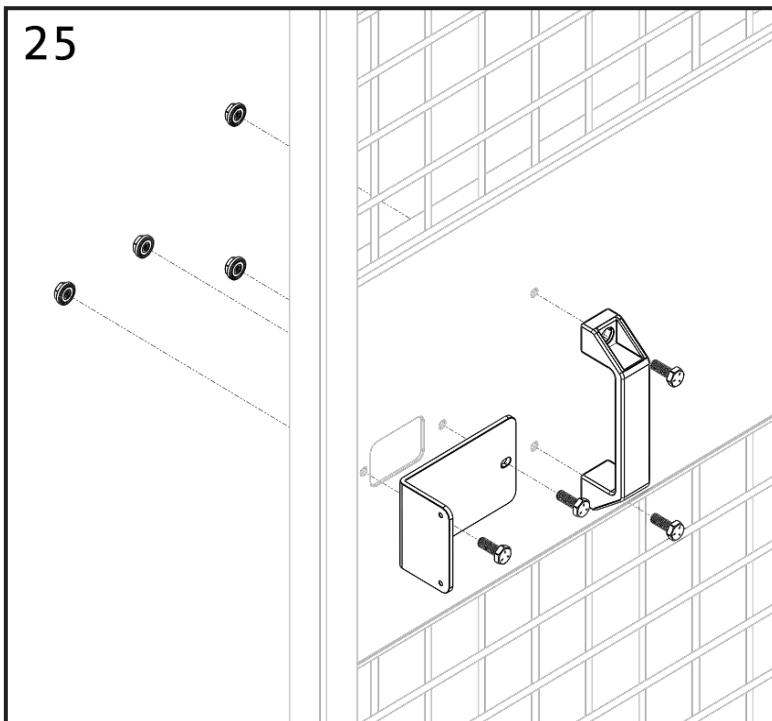


For mounting double slide doors refer to steps on **Page 9** for single slide doors. Once steps are completed, continue to **Page 12**.

DOUBLE SLIDE DOOR INSTALLATION



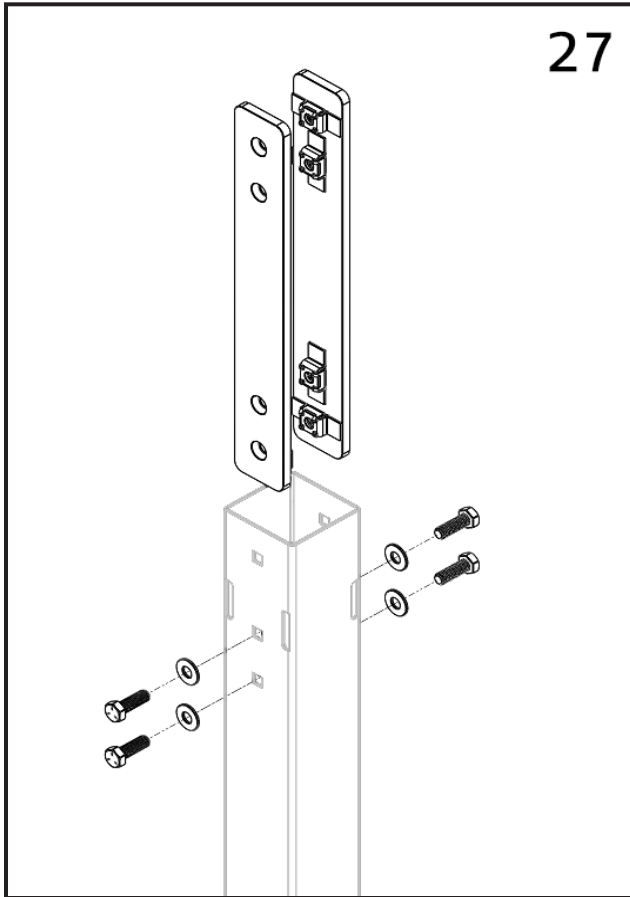
Bolt snap latch pin plate and the door handle to the center plate of the door panel as shown in **Picture 23** using (2) **H5859 - 1/4-20 x 3/4" Hex Head Bolts** and (2) **H5849 - 1/4-20 Hex Flange Nuts** for each. Bolt snap latch pin to the pin plate as shown in **Picture 24**.



Bolt snap latch receiver plate and the door handle to the center plate of the door panel as shown in **Picture 25** using (2) **H5859 - 1/4-20 x 3/4" Hex Head Bolts** and (2) **H5849 - 1/4-20 Hex Flange Nuts** for each. Bolt snap latch receiver to the receiver plate as shown in **Picture 26**.

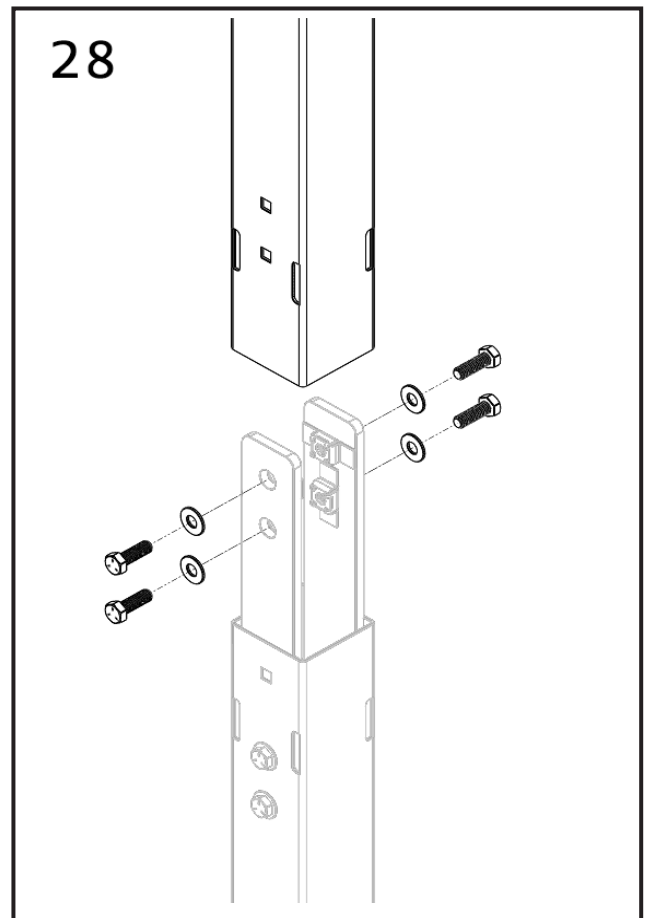
NOTE: Ensure that plastic spacer is behind the snap latch receiver.

POST SPLICE INSTALLATION



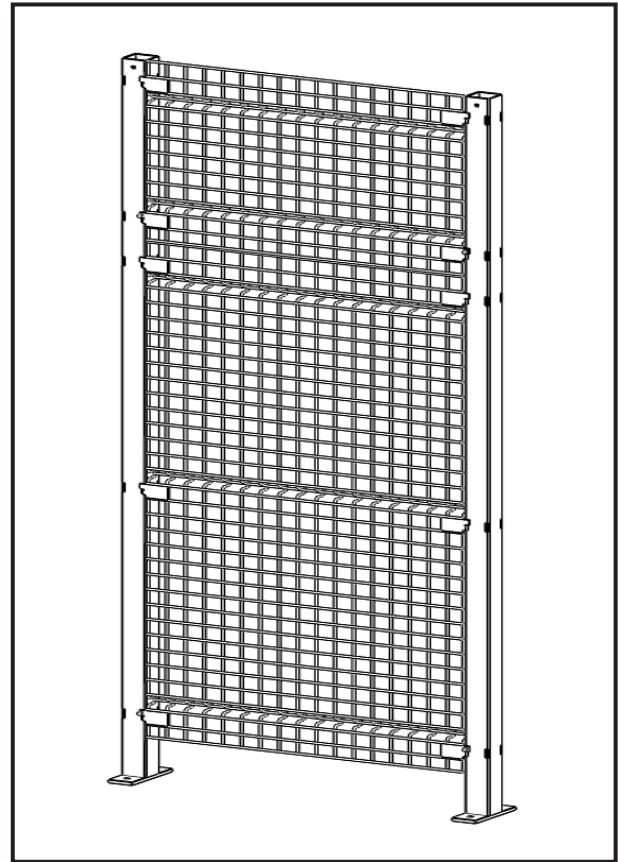
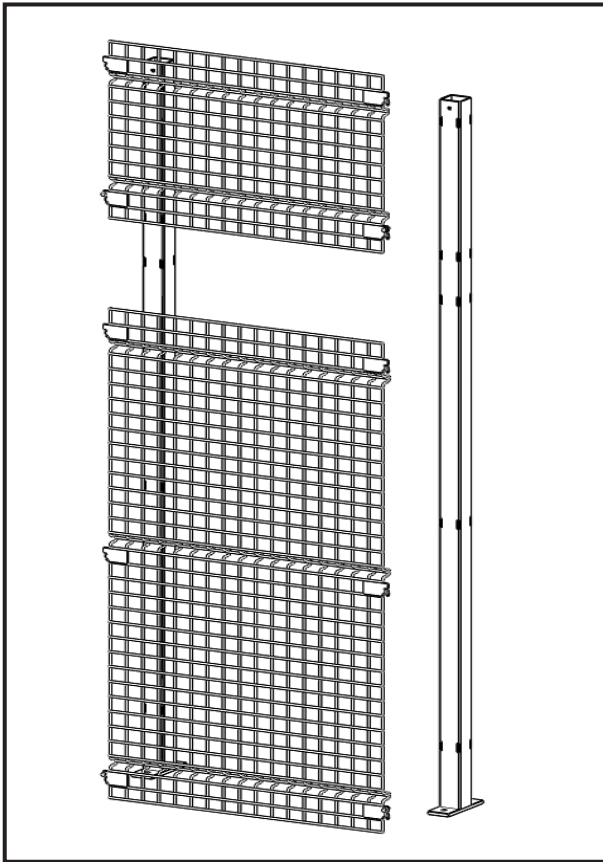
Once base post is installed, bolt (2) **H1023 - Post Splices** on the top of the base post as shown in **Picture 27** using (2) **H1131 - 5/16-18 x 1" Hex Head Bolts** and (2) **H1137 - 5/16" Flat Washers** for each splice.

Install extension post on top of the base post as shown in **Picture 28** using (2) **H1131 - 5/16-18 x 1" Hex Head Bolts** and (2) **H1137 - 5/16" Flat Washers** for each splice.

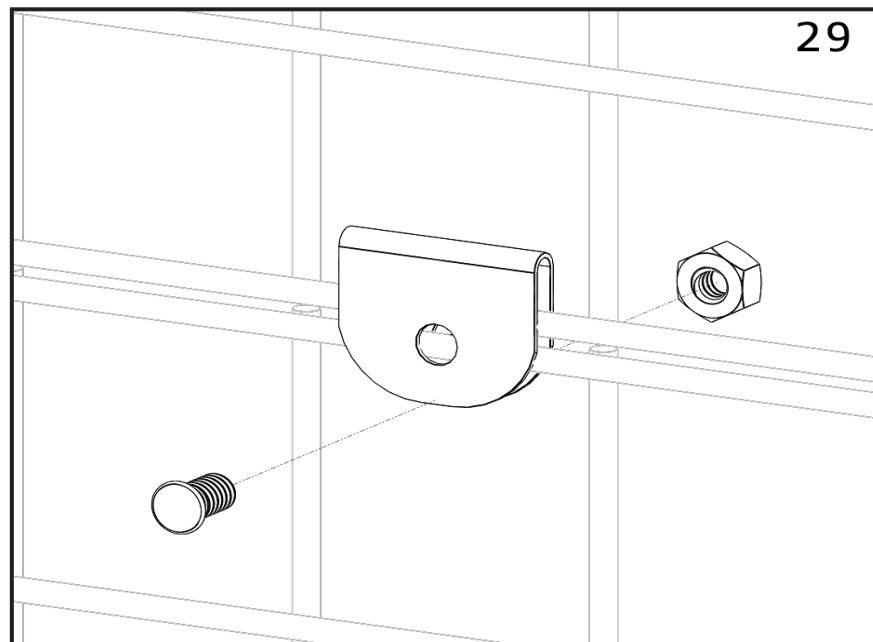


STACK CLIP INSTALLATION

FOR 8' TALL VELOX GUARDING

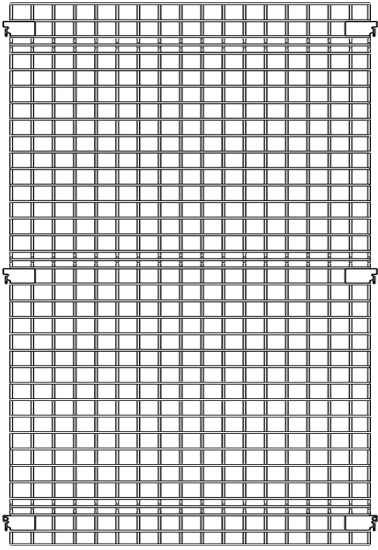


Set posts at **Nominal minus 1-3/4"** and hang **66" Tall Panel** on the bottom of the posts. Hang the **24" Tall Panel**.

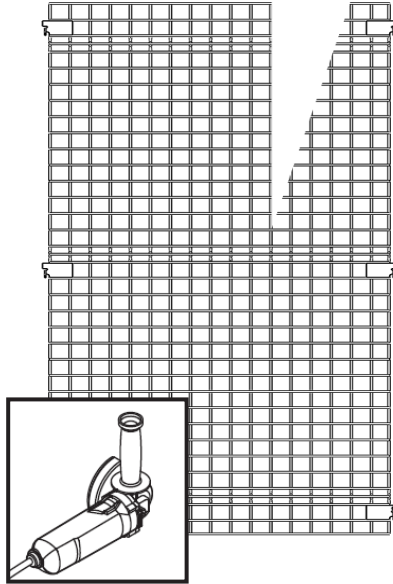


Place **Stack Clip** over the bottom wire of the top panel and the top wire of the bottom panel. Insert **Clinch Stud** from the outside of the guarding and tighten the **Nut** from the inside of the guarding.

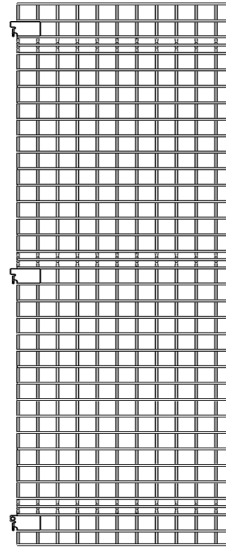
CUT TO FIT PANELS



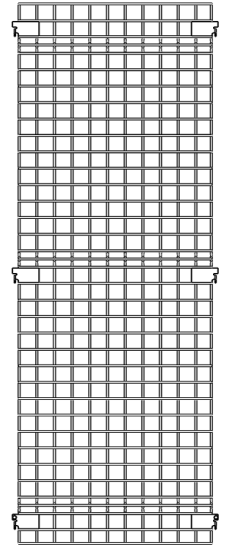
Original size panel



Cut panel to desired width with grinder

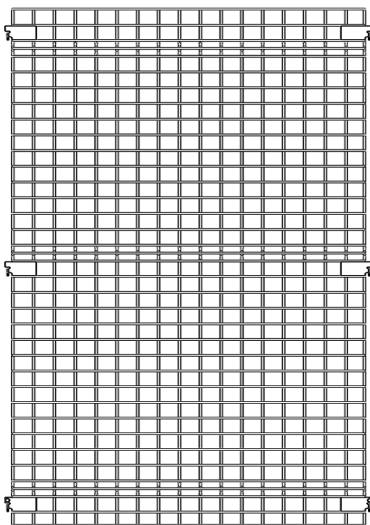
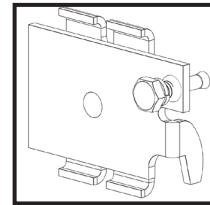
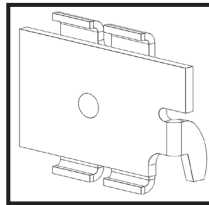


Modified panel
No clips

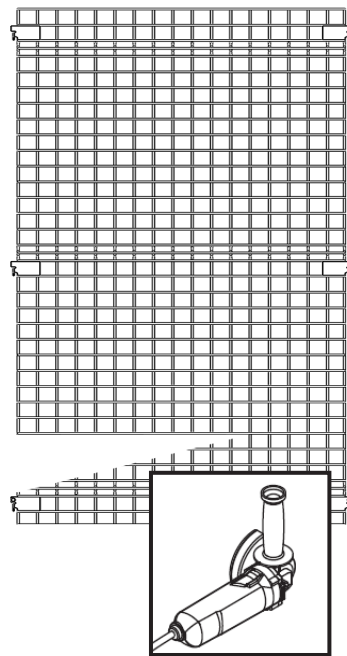


Modified panel
with clips attached

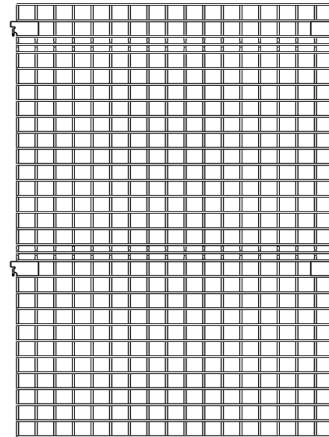
NOTE: When working on an 8' high system, cut one side of 66" high panel and the opposite side of the 24" high panel.



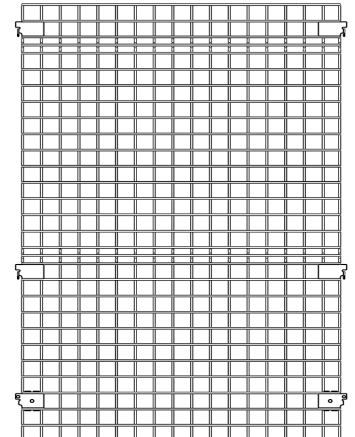
Original size panel



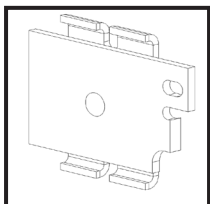
Cut panel to desired width with grinder



Modified panel
No clips



Modified panel
with clips attached



NOTE: Use XGBC-NF for height modification if needed. Secure panel to post using included self-tapping screws.