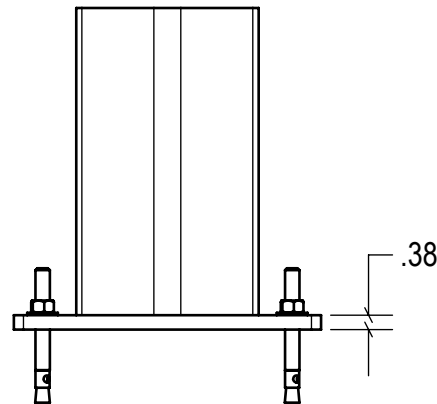
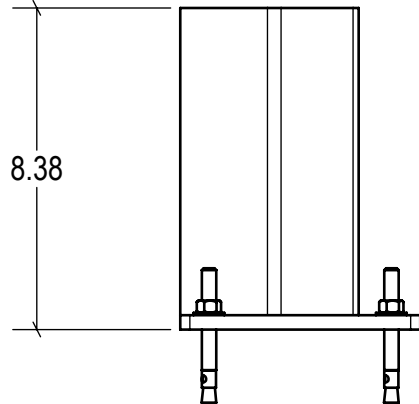
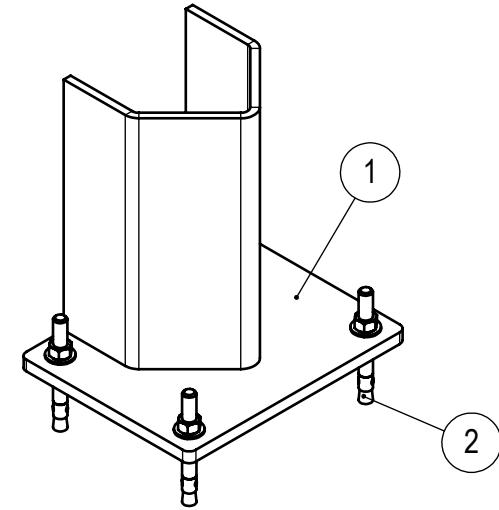
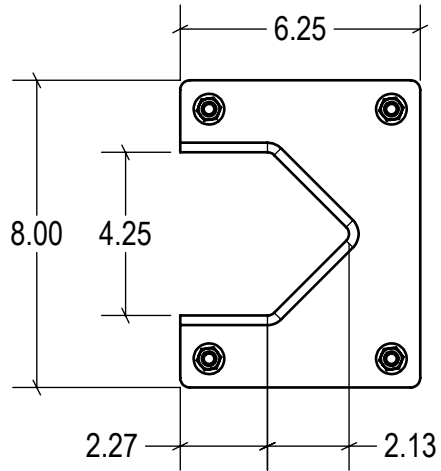



ITEM NO.	PART NUMBER	DESCRIPTION	QTY.
1	60-6400	MD RACKGUARD: 8"	1
2	60-6490	CONCRETE WEDGE ANCHOR: 3/8" x 3-1/2"	4



DRAWN BY: <b>T.CHUNG</b>	DATE: <b>2017-03-18</b>	3rd Angle	SIZE: <b>A</b>	 <b>IDEAL WAREHOUSE INNOVATIONS INC</b>	
CHECKED BY:	DATE:	DESCRIPTION: <b>MD RACKGUARD ASSEMBLY: 8"</b>			
THE INFORMATION CONTAINED IN THIS DRAWING IS THE SOLE PROPERTY OF IDEAL WAREHOUSE INNOVATIONS INC. ANY REPRODUCTION IN PART OR AS A WHOLE IS PROHIBITED.		SCALE: <b>2:1</b>	SHEETS: <b>1 of 1</b>	DRAWING NUMBER: <b>60-6400-A</b>	REV: <b>0</b>