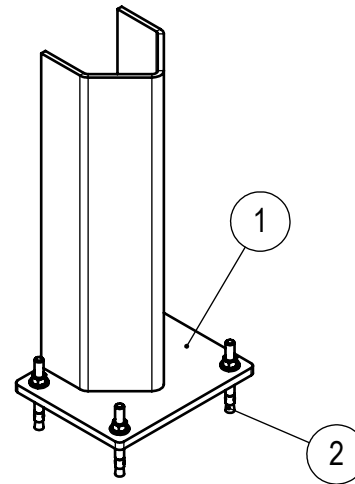
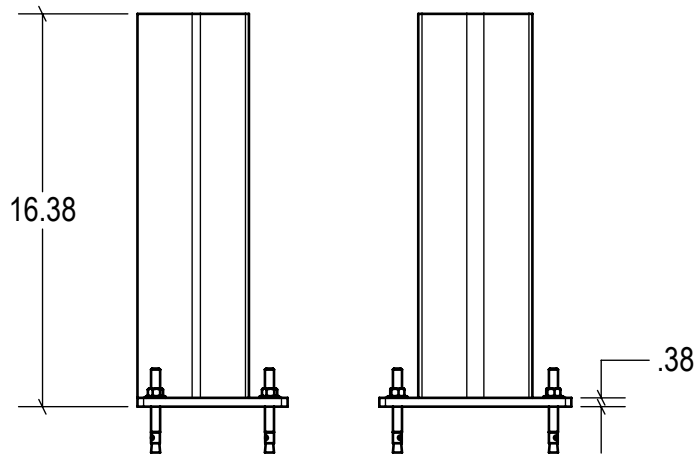
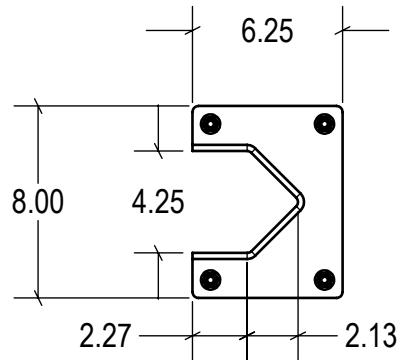




ITEM NO.	PART NUMBER	DESCRIPTION	QTY.
1	60-6402	MD RACKGUARD: 16"	1
2	60-6490	CONCRETE WEDGE ANCHOR: 3/8" x 3-1/2"	4



DRAWN BY: T.CHUNG	DATE: 2017-03-18	 3rd Angle SIZE: A	 IDEAL WAREHOUSE INNOVATIONS INC
CHECKED BY:	DATE:		
THE INFORMATION CONTAINED IN THIS DRAWING IS THE SOLE PROPERTY OF IDEAL WAREHOUSE INNOVATIONS INC. ANY REPRODUCTION IN PART OR AS A WHOLE IS PROHIBITED.		DESCRIPTION: MD RACKGUARD ASSEMBLY: 16"	
		SCALE: 1:8	SHEETS: 1 of 1