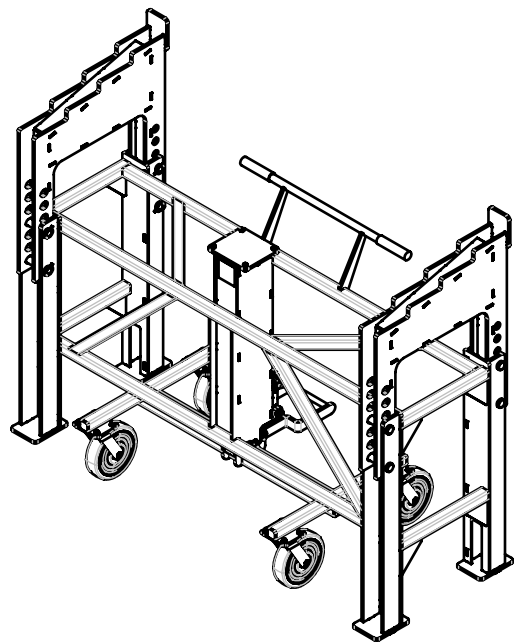




UNIT SHOWN WITH THE STEPPED SUPPORT MOUNTED IN THE HIGHEST POSITION.

THE STEPPED SUPPORT CAN BE LOWERED 6" BY 2" INCREMENTS.



WEIGHT: 488 lbs

 3rd Angle	SIZE: <b>A</b>	 <b>IDEAL WAREHOUSE</b> INNOVATIONS INC	
	DESCRIPTION: <b>AUTOSTAND WIDE</b>		
SCALE: <b>1:25</b>	SHEETS: <b>1 of 1</b>	DRAWING NUMBER: <b>MKT-1948a-0000</b>	REV: <b>0</b>