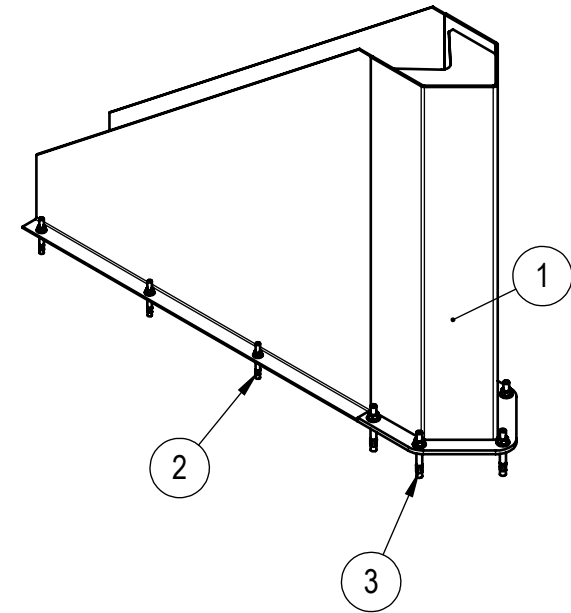
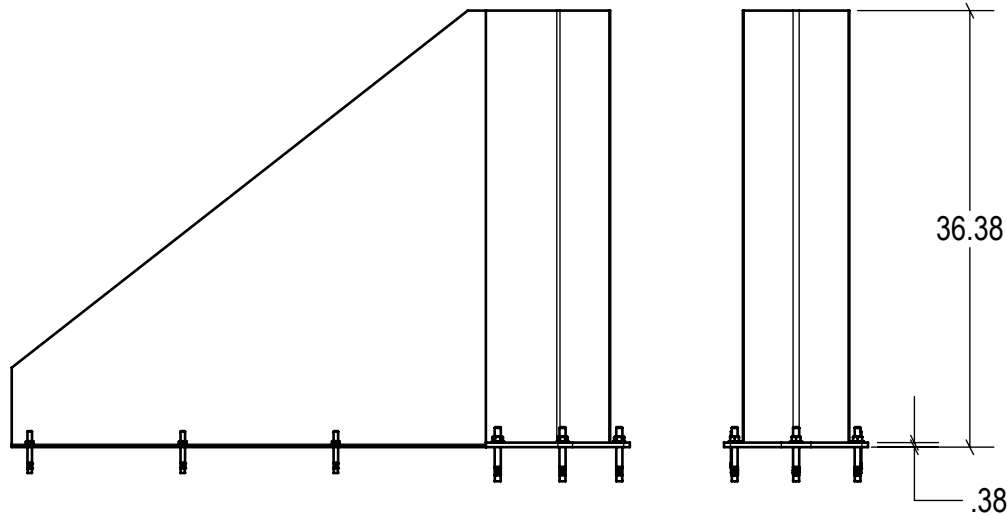
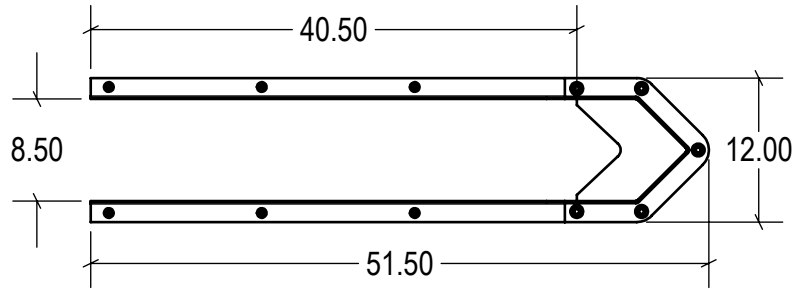


ITEM NO.	PART NUMBER	DESCRIPTION	QTY.
1	60-6406	HD RACK GUARD: 12" WIDE	1
2	60-6490	CONCRETE WEDGE ANCHOR: 3/8" x 3-1/2"	6
3	60-7524	CONCRETE ANCHOR - 1/2" x 4-1/2"	5



DRAWN BY: <b>T.CHUNG</b>	DATE: <b>2017-03-18</b>
CHECKED BY:	DATE:

3rd Angle	SIZE: <b>A</b>	<b>IDEAL WAREHOUSE INNOVATIONS INC</b>
-----------	-------------------	----------------------------------------

DESCRIPTION:  
**HD RACK GUARD ASSEMBLY: 12" WIDE**

THE INFORMATION CONTAINED IN THIS DRAWING IS THE SOLE PROPERTY OF IDEAL WAREHOUSE INNOVATIONS INC. ANY REPRODUCTION IN PART OR AS A WHOLE IS PROHIBITED.

SCALE: <b>1:16</b>	SHEETS: <b>1 of 1</b>	DRAWING NUMBER: <b>60-6406-A</b>	REV: <b>0</b>
-----------------------	--------------------------	-------------------------------------	------------------