



The Forklift Spotter™ Safe Zone – Front Light Pedestrian Collision Avoidance Lighting System Installation Guide

Important notes:

- Consult a qualified electrician and/or the forklift manufacturer for proper wiring instructions. Note the current draw and voltage specifications of the lights to be installed. Ideal Warehouse Innovations will not be responsible for damages resulting from incorrect wiring.
- The Forklift Front Spotter Light is powered from the trucks DC only power supply: 10-80 VDC, with a current draw of 1.67 A.

Before you begin:

- Create a highly visible visual barrier around the area you will be working. Ideal Warehouse Innovations' Portable Safety Zone is an excellent tool for this: <http://idealwarehouse.com/product/port-safety-zone/>
- Use appropriate personal protective equipment such as gloves, safety glasses, hearing protection and protective shoes.

Tools you will need:

- Voltmeter
- Wire Cutters
- Wire strippers
- Crimp connectors and crimp tool
- Heat shrink tubing
- Adjustable wrench or appropriate size socket set

Components:

The Forklift Front Spotter Light Kit

(70-1096), with:

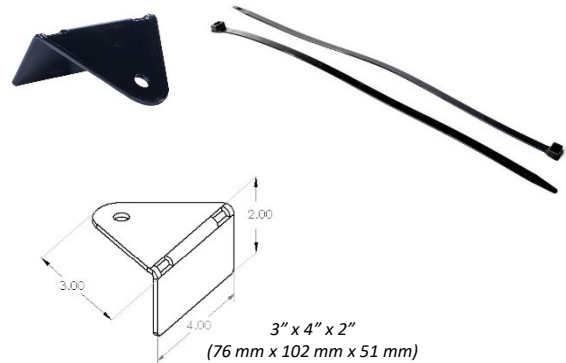
- Light with 16" (406 mm) cable
- Mounting bracket
- 1 long bolt, split washer and nut
- 1 short bolt, split washer and nut



Optional Universal Mounting Bracket Kit

(70-1091-1), with:

- Universal mounting bracket
- 2 x heavy duty tie straps



Note: Instructions show installation using the optional **Universal Mounting Bracket Kit (Part # 70-1091-1)**. If not using this option, skip steps 3, 5-8, and connect the light mounting bracket directly. **DO NOT** drill into the truck's safety cage.



Step 1. Insert the short bolt into the mounting bracket.



Step 6. Loosely connect both tie straps (if ordered).



Step 2. Attach the mounting bracket to the light using the long bolt, split washer and nut. Do not tighten.



Step 7. Holding bracket in position, tighten both tie straps (if ordered) using pliers for final tightening.



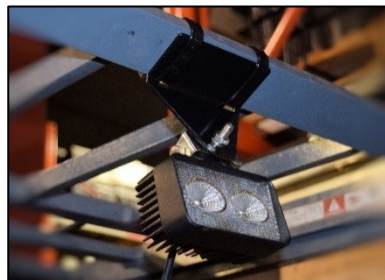
Step 3. Attach the Universal Bracket (if ordered) to the mounting bracket short bolt using split washer and nut.



Step 8. Trim excess of both tie straps (if ordered) and ensure any sharp burrs/edges are removed.



Step 4. Determine the best mounting location on the fork truck to permit maximum lighting benefit.



Step 9. Tighten all mounting bracket bolts once final position has been determined.



Step 5. Thread the Universal Bracket Tie Straps (if ordered).

Step 10. Connect electrical. The length of wire required for final installation varies by application and is supplied by others.

Questions: Contact Ideal Warehouse Innovations
1-866-828-6737 or info@idealwarehouse.com