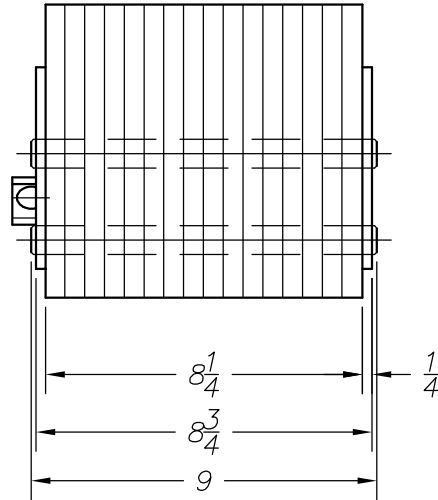
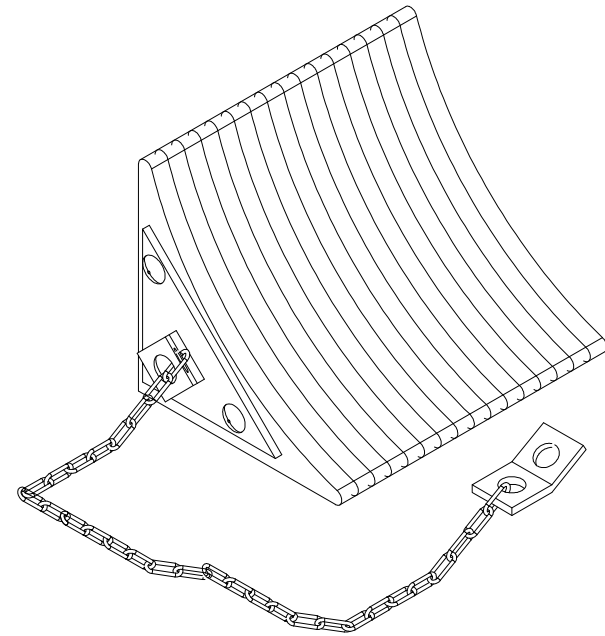


FRONT VIEW



SIDE VIEW



SECURITY CHAIN
 3/16" ZINC PLATED
 0.6 LBS. PER LINEAL FOOT
 STANDARD LENGTHS: 10', 12', 15' AND 20'

NOTES:
 ALL TOLERANCES ARE $\pm 1/4$ "
 UNLESS OTHERWISE NOTED.

THIS DRAWING AND THE DESIGN
 SHOWN ARE THE PROPERTY OF
IDEAL WAREHOUSE INNOVATIONS,
 REPRODUCTION OR USE OF THIS
 DRAWING FOR ANY PURPOSE OTHER
 THAN THAT SPECIFIED SHALL BE
 VIEWED AS INFRINGEMENT AND
 BE SUBJECT TO LEGAL ACTION



IDEAL WAREHOUSE
 INNOVATIONS INC

SCALE: 1:96

DRAWN BY: W.R.

DATE: JAN 2015

MODEL: 88-8 LAMINATED

DATE:

APPROVED BY: