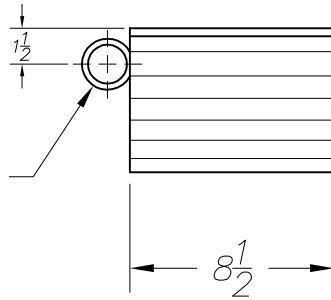


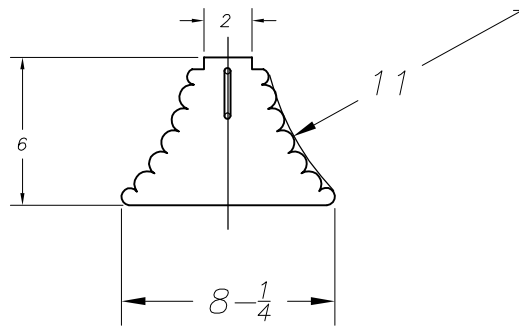


TOP VIEW

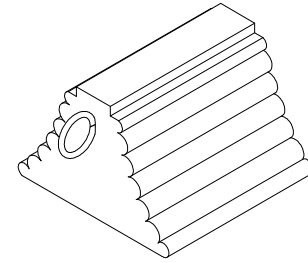


EYE HOOK

FRONT VIEW



RIGHT-SIDE VIEW



ISOMETRIC VIEW

SECURITY CHAIN (OPTIONAL)

3/16" ZINC PLATED

0.6 LBS. PER LINEAL FOOT

STANDARD LENGTHS: 10', 12', 15' AND 20'

NOTES:  
ALL TOLERANCES ARE  $\pm 1/4$ "  
UNLESS OTHERWISE NOTED.

THIS DRAWING AND THE DESIGN SHOWN ARE THE PROPERTY OF IDEAL WAREHOUSE INNOVATIONS, REPRODUCTION OR USE OF THIS DRAWING FOR ANY PURPOSE OTHER THAN THAT SPECIFIED SHALL BE VIEWED AS INFRINGEMENT AND BE SUBJECT TO LEGAL ACTION



IDEAL WAREHOUSE  
INNOVATIONS INC

SCALE: 1:96

DRAWN BY: W.R.

DATE: JAN 2015

MODEL: 68-9E - EYE HOOK

DATE:

APPROVED BY: