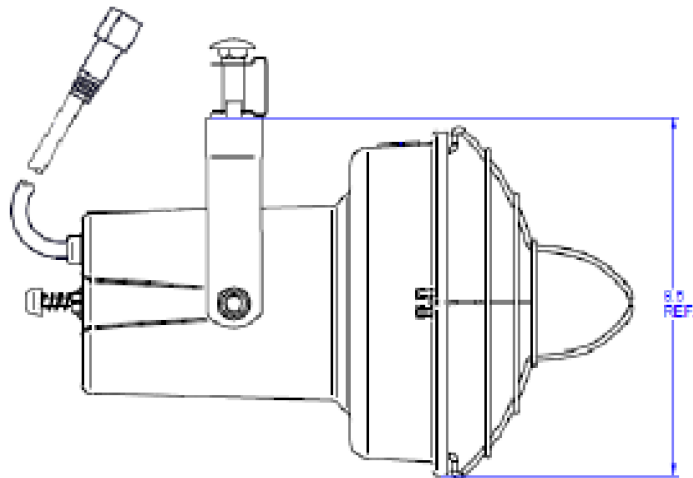
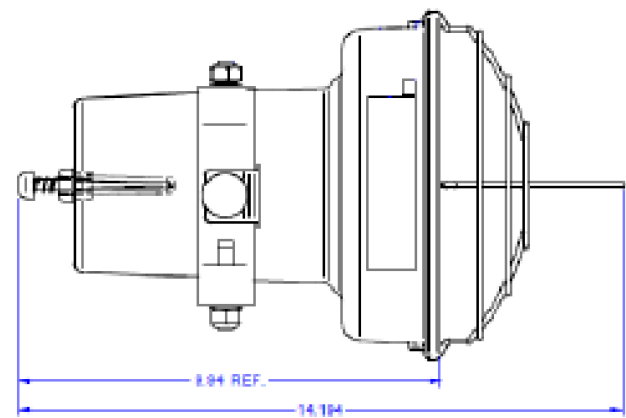


DOCKLITE HEAD SPECIFICATIONS: DL-INC-LH

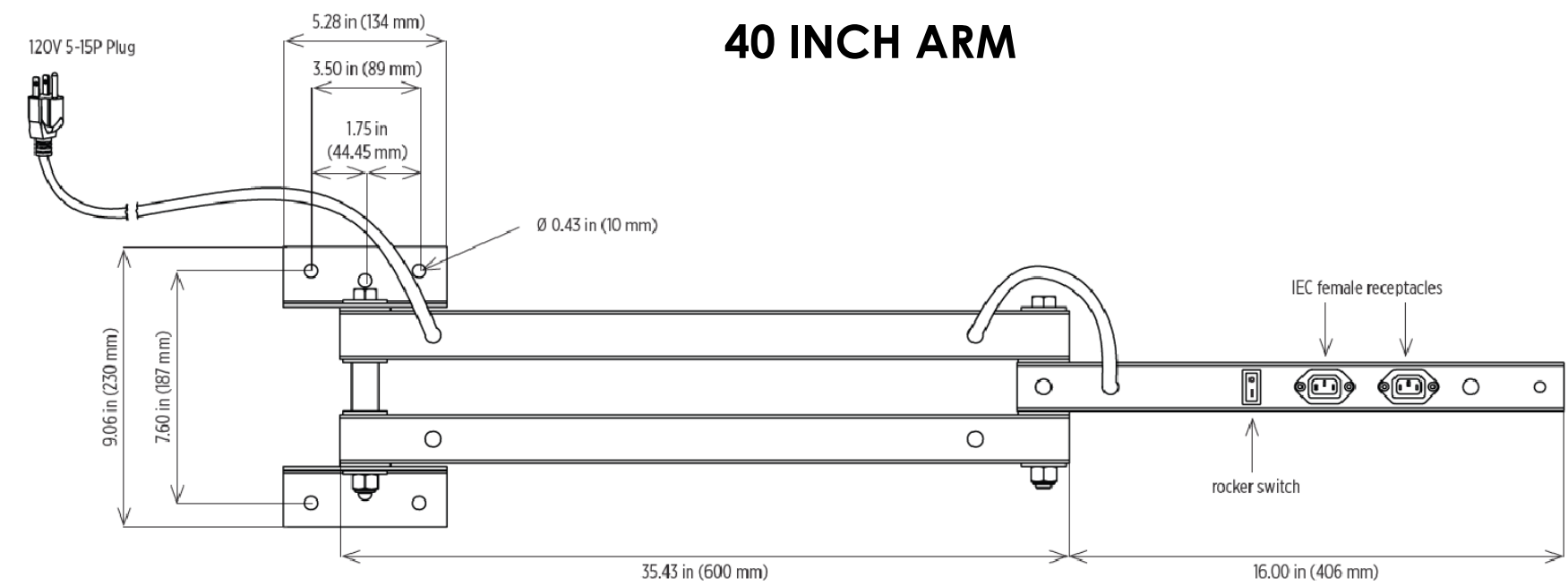
- CONSTRUCTION: HIGH TEMP POLYMER HOUSING; ZINC-PLATED STEEL WIRE GUARD
- MOUNTING: ZINC-PLATED HARP
- WIRING: RECESSED 3-PRONG IEC (C-14) TYPE PLUG WITH 16 INCH LENGTH CORD
- ACCOMMODATES UP TO 150W PAR38/BR40 LAMP
 - INCLUDES PAR38 18W LED LAMP

DOCKLITE HEAD COMPLIANCES

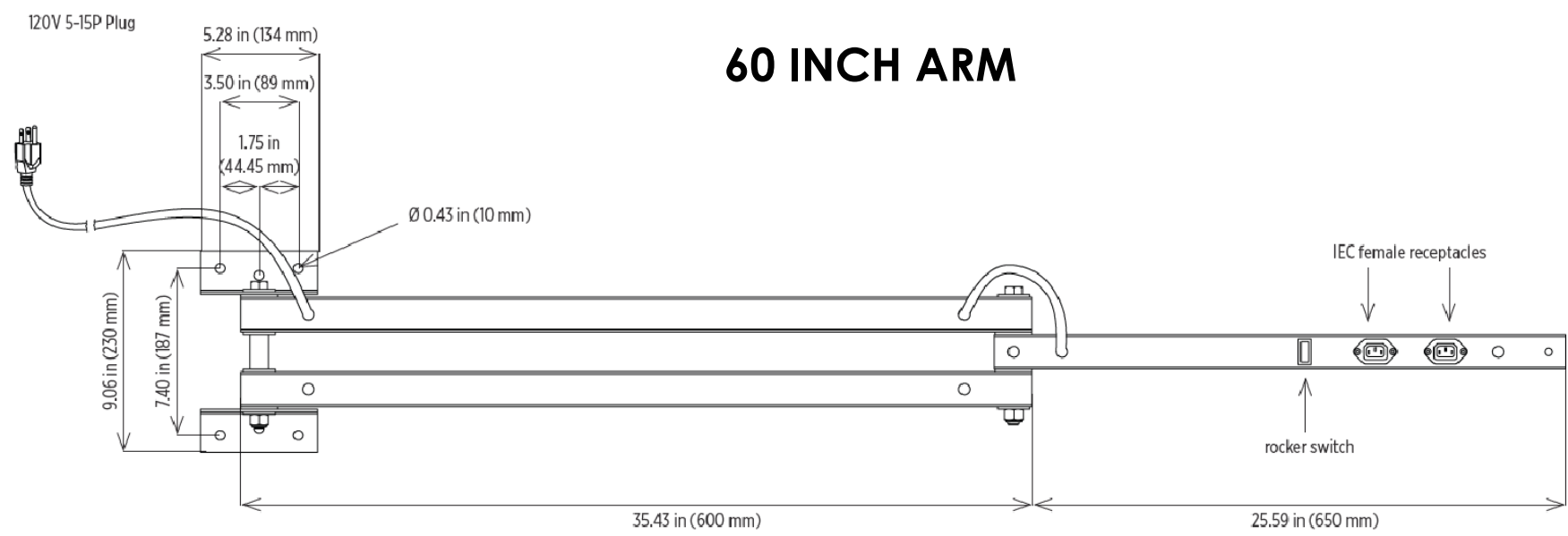
- UL/cUL TO UL153: PORTABLE WORK LIGHT SUITABLE FOR DRY LOCATIONS



40 Inch Arm



60 Inch Arm



DOUBLE STRUT DOCKLITE ARM SPECIFICATIONS

- CONSTRUCTION: 1.60 INCH SQUARE STEEL TUBE ARMS WITH LATERAL MOBILITY JOINT
- MOUNTING: POWDER COATED STEEL BRACKET
- WIRING: 120 VAC; ON-OFF ROCKER SWITCH AND TWO IEC TYPE RECEPTACLES (ACCOMMODATE HEAD AND FAN)
- FINISH: SAFETY YELLOW POWDER COAT
- AVAILABLE IN 40 AND 60 INCH DOUBLE STRUT
- CABLE: 72 INCH CORD WITH NEMA 5-15 PLUG

DOCKLITE ARM COMPLIANCES

- ETL/cETL TO UL1598 SUITABLE FOR DAMP LOCATIONS
- CSA C22.2 No. 250 EQUIVALENT

PRODUCT DESCRIPTIONS

| ITEM NO. | DESCRIPTION | IDEAL WAREHOUSE PART NO. | PACKAGED WEIGHT (LBS) |
|------------|---------------------------------|--------------------------|-----------------------|
| 010176.101 | DL-INC-LH-LMP/DLSD-40-ARM-DS-IW | 60-5483-550 | 18.6 |
| 010176.110 | DL-INC-LH-LMP/DLSD-60-ARM-DS-IW | 60-5483-600 | 23.8 |

PHOENIX
DURABILITY X DESIGN™
MILWAUKEE, WI, USA.

TOLERANCES ARE AS FOLLOWS:
.X ± .060"
.XX ± .030"
.XXX ± .015"
HOLES +.006"
-.001"
ANGLES ± 1°
RADII .030"

NOTES: UNLESS OTHERWISE SPECIFIED DIMENSIONS ARE IN INCHES. ALL EDGES TO BE DEBURRED. DO NOT SCALE DRAWING.

PROPRIETARY AND CONFIDENTIAL
THE INFORMATION CONTAINED IN THIS DRAWING IS THE SOLE PROPERTY OF PHOENIX PRODUCTS, INC. ANY REPRODUCTION IN PART OR AS A WHOLE WITHOUT THE WRITTEN PERMISSION OF PHOENIX PRODUCTS, INC. IS PROHIBITED.

DL-INC-LH-LMP / DLSD-XX-ARM-DS-IW

THIRD ANGLE PROJECTION
DRN. CDR CKD. JSD DATE 11/15/2022
DWG. NO. 010176.101A SHEET 1 of 1

| XX | REV. | DESCRIPTION | BY | CKD. | DATE |
|----|------|------------------------|-----|------|------------|
| | | FOR CUSTOMER REFERENCE | CDR | JSD | 12/20/2022 |